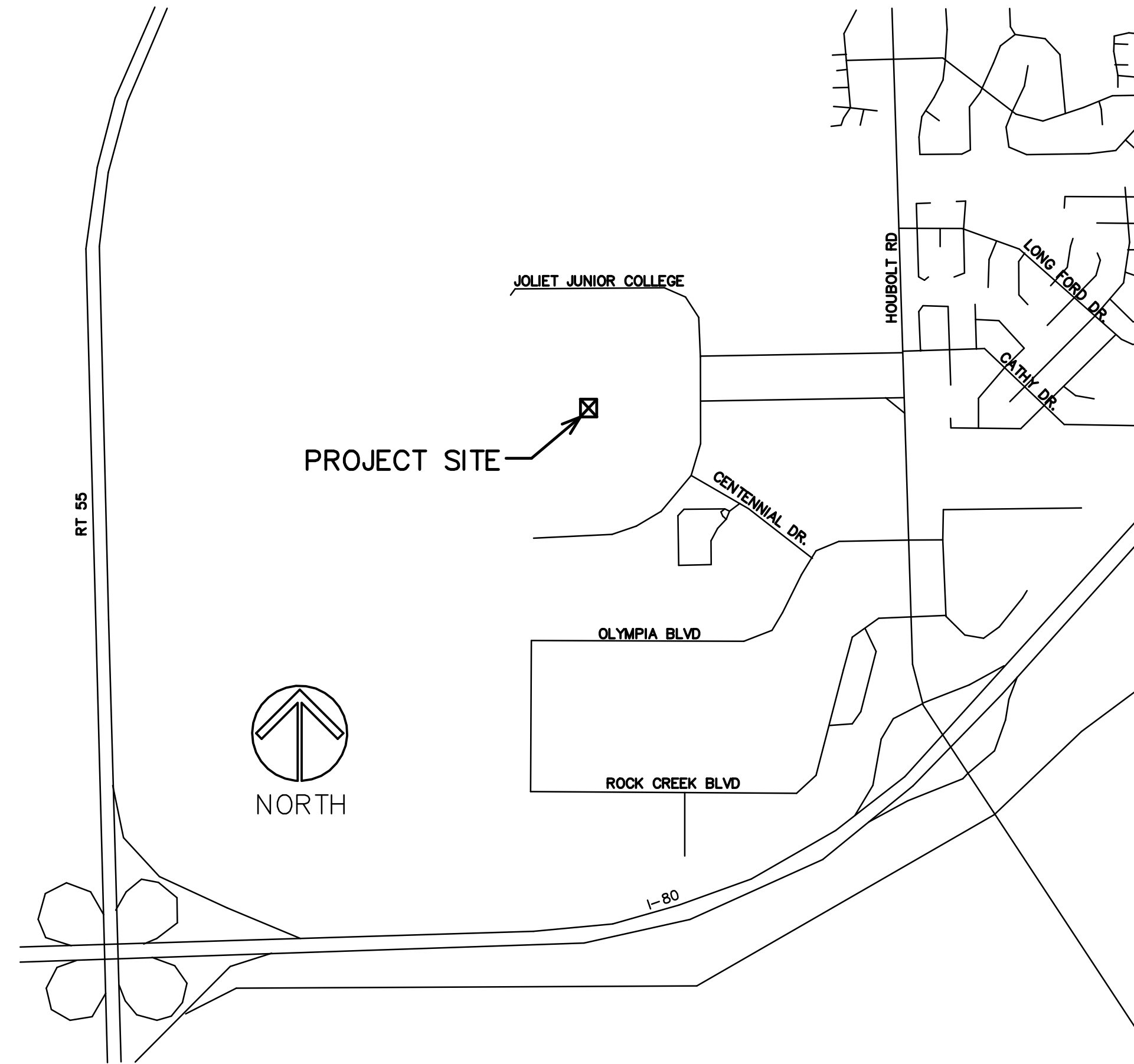


LOCATION MAP



INDEX OF SHEETS

- T1 PROJECT TITLE, LOCATION, INDEX OF SHEETS
- D1 PARTIAL GROUND FLOOR DEMO PLANS AND NOTES
- D2 PARTIAL FIRST LEVEL DEMO PLANS AND NOTES
  
- A1 PARTIAL FOUNDATION AND FRAMING PLAN AND NOTES
- A2 PARTIAL GROUND FLOOR PLANS AND NOTES
- A3 PARTIAL FIRST FLOOR PLANS AND NOTES
- A4 PARTIAL ROOF PLAN, ROOF FRAMING PLAN AND CEILING PLAN
- A5 ELEVATIONS
- A6 STAIR SECTION
- A7 STAIR SECTION AND DETAILS
- A8 NOT USED
- A9 PARTIAL FLOOR PLAN - BOILER HOUSE ,STAIR SECTION AND DETAIL (ALTERNATE ONE)
- A10 PARTIAL FLOOR PLAN BUILDING "S", STAIR SECTION AND NOTES (ALTERNATE TWO)

# STAIR REPLACEMENT

JOLIET JUNIOR COLLEGE  
 BUILDING H  
 1215 HOUBOLT ROAD  
 JOLIET, ILLINOIS

STROMSLAND + DE YOUNG + PRYBYS  
 ARCHITECTURE GROUP

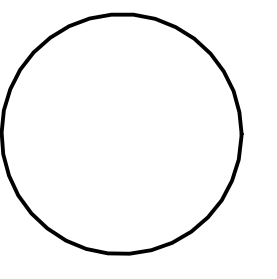
20620 BURL COURT  
 JOLIET, IL 60433  
 PHONE: 815-727-1311  
 FAX: 815-727-5210

REGISTRATION

SEAL

stromsland + de young + prybys  
 ARCHITECTURE GROUP  
 20620 Burr Court - 102  
 Joliet, Illinois 60433  
 www.sdpagroup.com  
 L. N. : 184-000437  
 815-727-1311

NUMBER  
 SET



STAIR REPLACEMENT  
 JOLIET JUNIOR COLLEGE - BUILDING H  
 1215 HOUBOLT ROAD  
 JOLIET, ILLINOIS

DATE: 5/4/2015  
 REVISED: 5/18/2015

PROJECT NO.  
 1411-02

SHEET NUMBER

T1

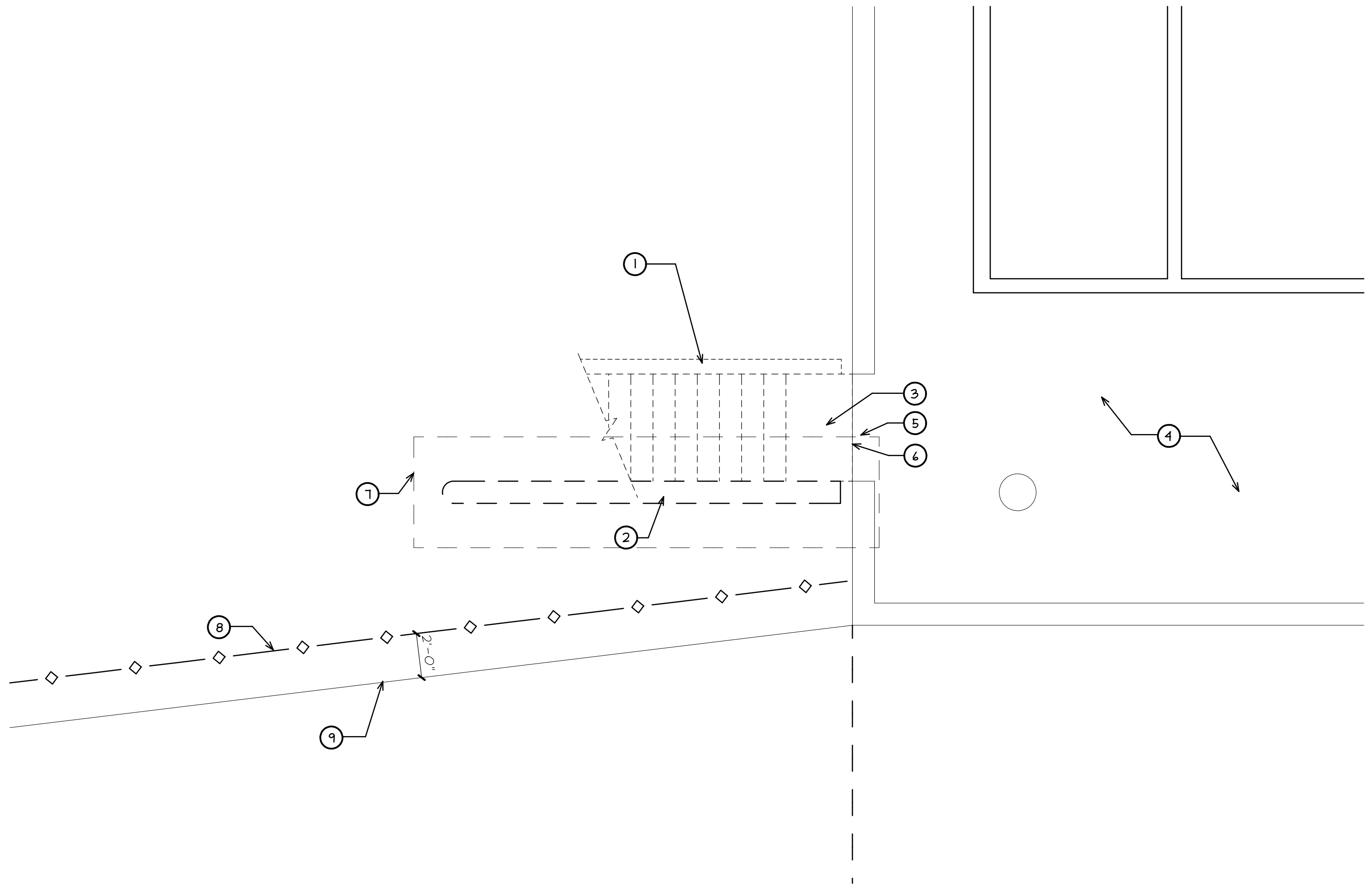
OF 1 SHEETS

**DEMO GENERAL NOTES**

- A. THE CONTRACTOR SHALL VISIT THE SITE PRIOR TO BID TO VERIFY EXISTING CONDITIONS AND EXTENT OF THE WORK. ANY ITEMS NOT SPECIFICALLY INDICATED THAT ARE IN CONFLICT WITH CONTRACT WORK SHALL BE BROUGHT TO THE ATTENTION OF THE OWNER PRIOR TO BID FOR CLARIFICATION.
- B. PROVIDE PROTECTION TO ADJACENT MATERIAL TO REMAIN DURING CONSTRUCTION.
- C. PROVIDE TEMPORARY PROTECTION TO THE ADJACENT LANDSCAPING. LANDSCAPING TO BE RESTORED AT END OF CONSTRUCTION TO MATCH EXISTING CONDITION.
- D. CONCRETE PATCHING MORTAR TO BE ARDEX "CP". PREPARE EXISTING SURFACES, MIX (AS INDICATED FOR PATCHING) AND INSTALL PATCHING MORTAR AS PER MANUFACTURER'S RECOMMENDATIONS.

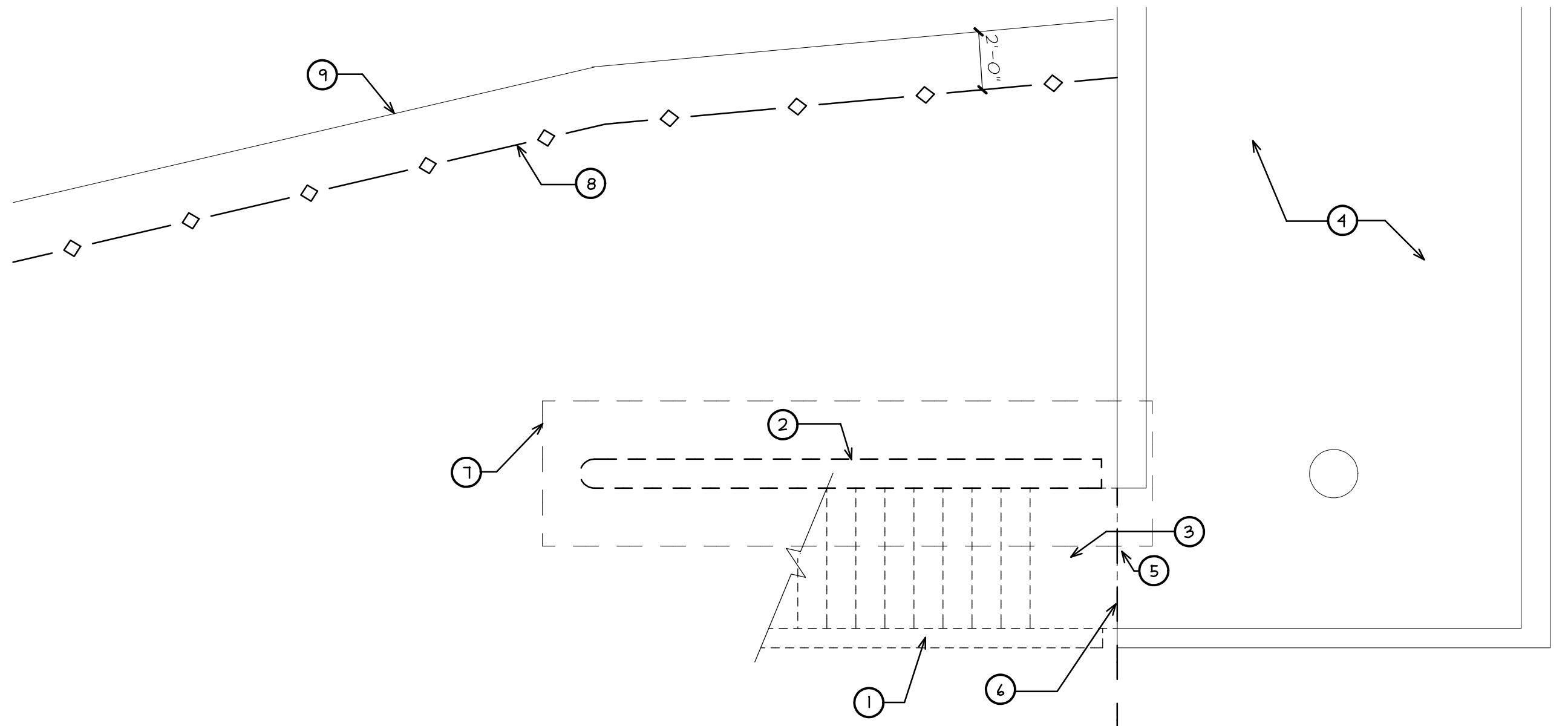
**DEMO KEY NOTES**

- ① EXISTING CONCRETE STAIRS AND STRUCTURE TO BE COMPLETELY REMOVED. (V.I.F.)
- ② EXISTING CONCRETE COLUMN WALL TO BE REMOVED DOWN TO EXISTING FOOTING. (V.I.F.)
- ③ EXISTING CONCRETE STAIR LANDING TO BE REMOVED. (V.I.F.)
- ④ EXISTING CONCRETE PLATFORM TO REMAIN.
- ⑤ REMOVE LOOSE OR DETERIORATED CONCRETE DOWN TO SOLID MATERIAL AT EDGE OF EXISTING CONCRETE PLATFORM AT STAIR. (IF EXISTING REINFORCING IS EXPOSED AND FOUND TO BE RUSTING THEN REINFORCING TO BE CLEANED DOWN TO WHITE METAL AND APPLY ANTI CORROSION AGENT) PATCH CONCRETE SMOOTH AND LEVEL WITH ADJACENT AREAS WITH CONCRETE PATCH MORTAR. (V.I.F.)
- ⑥ REMOVE EXISTING CAULK EXPANSION JOINT AND CLEAN SURFACE. (V.I.F.)
- ⑦ EXISTING FOOTING TO REMAIN. (V.I.F.)
- ⑧ LIMIT OF CONSTRUCTION AREA. PROVIDE EROSION FENCE TO PROTECT EXISTING SHORELINE
- ⑨ EXISTING LAKE SHORELINE TO REMAIN. (V.I.F.)



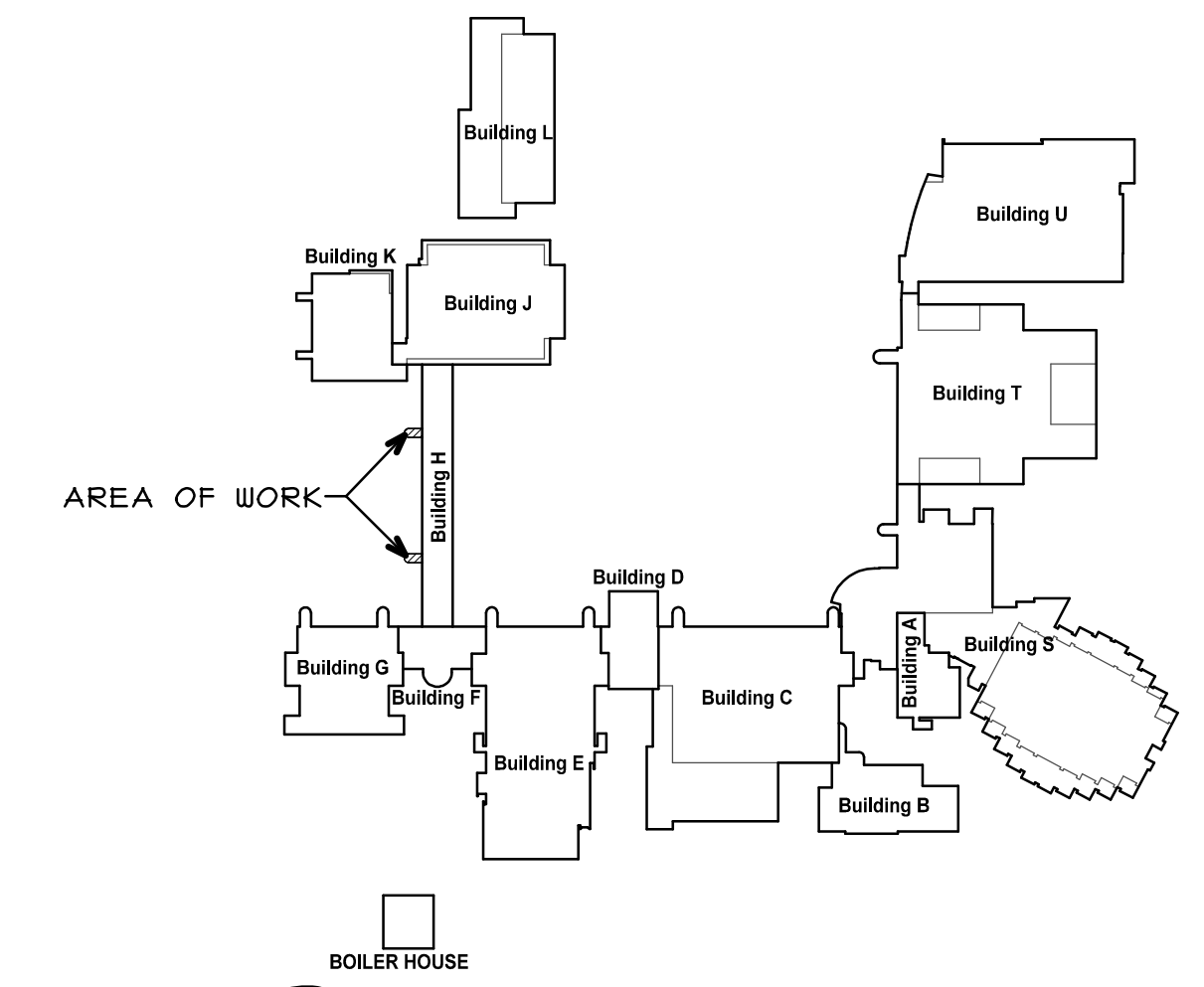
**PARTIAL GROUND FLOOR DEMO PLAN - BUILDING H NORTH END**

SCALE: 1/4" = 1'-0"



**PARTIAL GROUND FLOOR DEMO PLAN - BUILDING H SOUTH END**

SCALE: 1/4" = 1'-0"

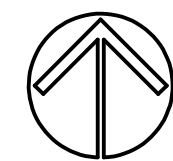
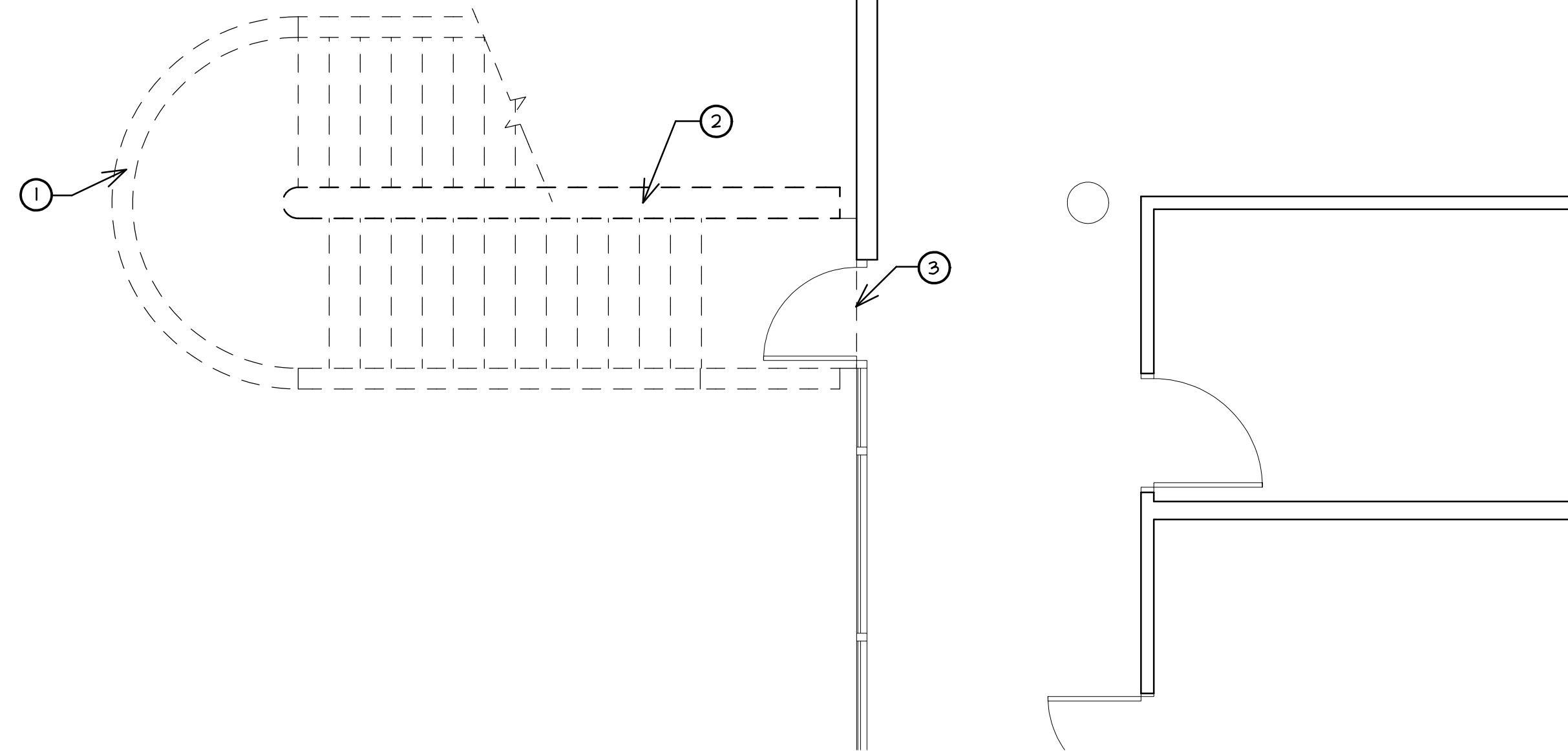


**SITE KEY PLAN**

N.T.S.

P:\JUC - BUILDING H STAIR REPLACEMENT DRAWINGS\ARCH\1411\_02 DIAEC

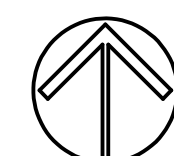
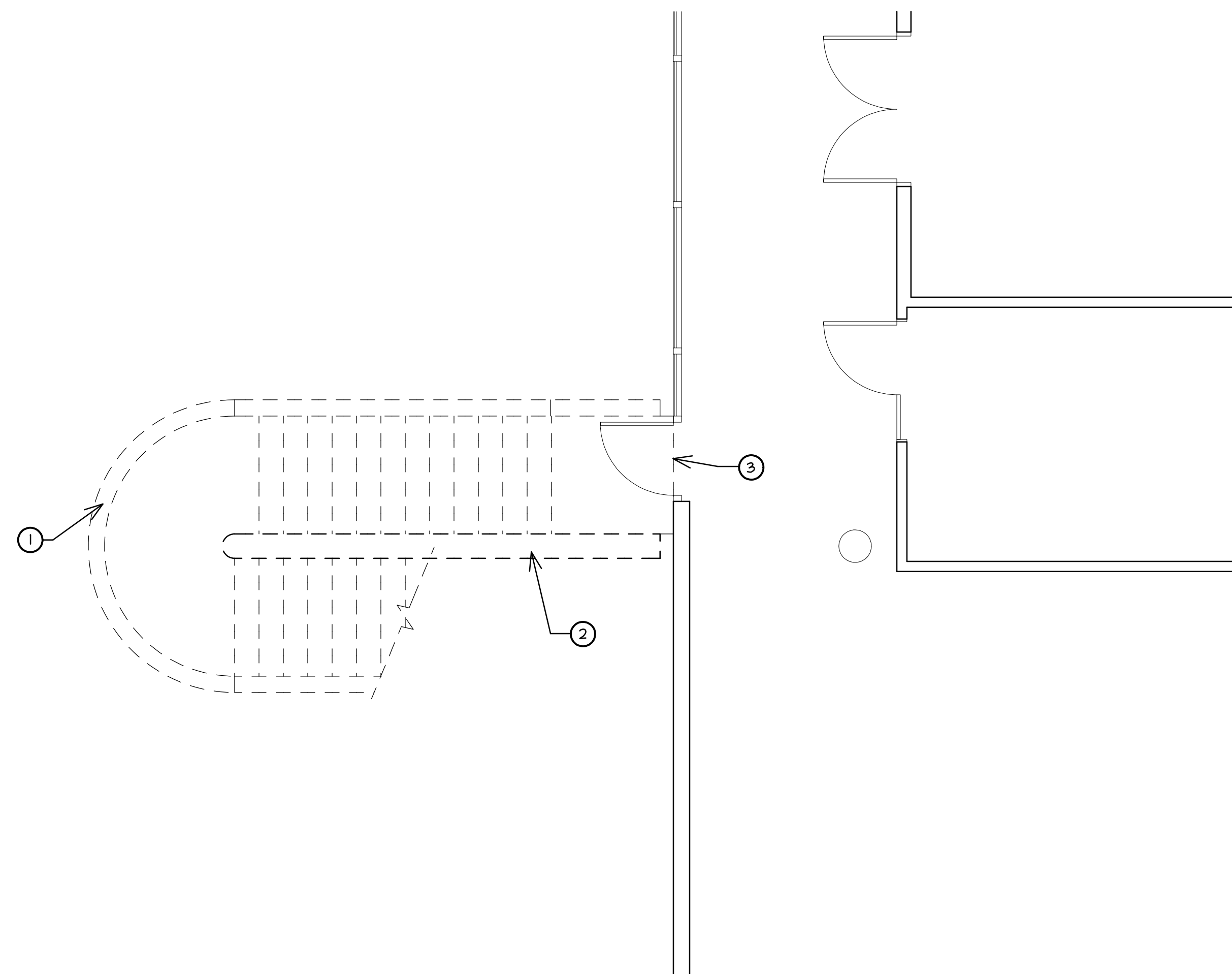
P:\JUC - BUILDING H STAIR REPLACEMENT\DRAWINGS\ARCH\1411\_02 D2.AEC



**PARTIAL FIRST FLOOR DEMO PLAN - BUILDING H NORTH**

SCALE: 1/4" = 1'-0"

NORTH



**PARTIAL FIRST FLOOR DEMO PLAN - BUILDING H SOUTH**

SCALE: 1/4" = 1'-0"

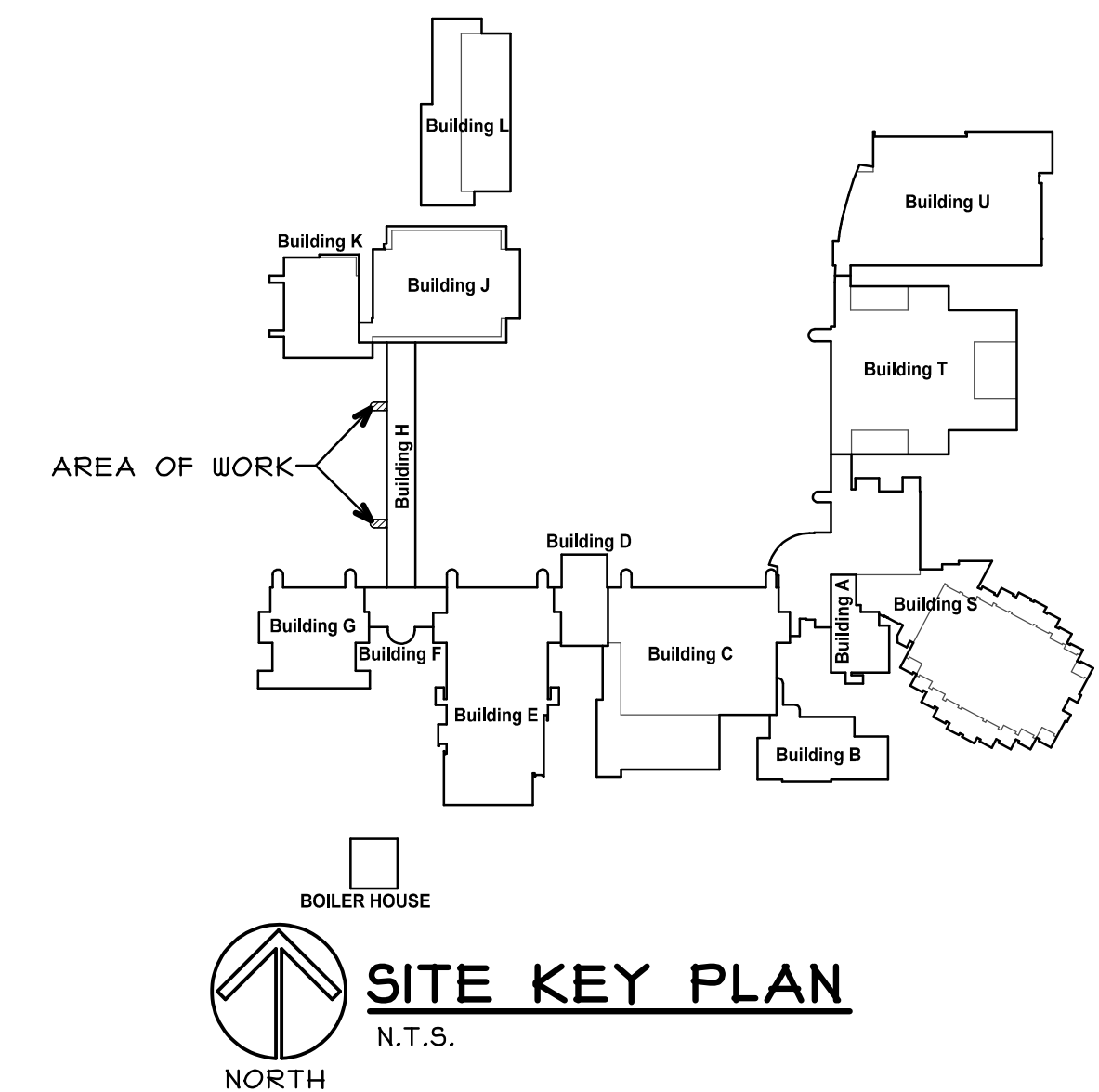
NORTH

**DEMO GENERAL NOTES**

- A. THE CONTRACTOR SHALL VISIT THE SITE PRIOR TO BID TO VERIFY EXISTING CONDITIONS AND EXTENT OF THE WORK. ANY ITEMS NOT SPECIFICALLY INDICATED THAT ARE IN CONFLICT WITH CONTRACT WORK SHALL BE BROUGHT TO THE ATTENTION OF THE OWNER PRIOR TO BID FOR CLARIFICATION.
- B. PROVIDE PROTECTION TO ADJACENT MATERIAL TO REMAIN DURING CONSTRUCTION.
- C. ALL ITEMS REMOVED AND NOT SALVAGED SHALL BE PROPERLY DISPOSED OF OFF SITE BY THE CONTRACTOR.

**DEMO KEY NOTES**

- ① EXISTING CONCRETE STAIRS AND STRUCTURE TO BE COMPLETELY REMOVED. (V.I.F.)
- ② EXISTING CONCRETE COLUMN WALL TO BE COMPLETELY REMOVED. (V.I.F.)
- ③ REMOVE EXISTING CAULK EXPANSION JOINT. (V.I.F.)



COPYRIGHT 2015 © S D P ARCHITECTURE GROUP, INC.

REGISTRATION

SEAL

stromsland + de young + prybys  
 ARCHITECTURE GROUP  
 20620 Burr Court - 102  
 Joliet, Illinois 60433  
 www.sdpgroup.com  
 P. N. : 815-727-1311  
 L. N. : 184-000437

NUMBER

SET

**STAIR REPLACEMENT**  
 JOLIET JUNIOR COLLEGE - BUILDING H  
 1215 HOUBOLT ROAD  
 JOLIET, ILLINOIS

DATE: 5/4/2015  
 REVISED:

PROJECT NO.  
 1411-02

SHEET NUMBER

D2

OF 2 SHEETS

### CONCRETE NOTES

ALL STRUCTURAL CONCRETE WORK SHALL CONFORM TO THE REQUIREMENTS AND RECOMMENDATIONS/SUGGESTIONS OF THE LATEST EDITIONS OF THE FOLLOWING "AMERICAN CONCRETE INSTITUTE" (ACI) SPECIFICATIONS/STANDARDS: "BUILDING CODE REQUIREMENTS FOR STRUCTURAL CONCRETE" (ACI 318), "SPECIFICATIONS FOR STRUCTURAL CONCRETE" (ACI 308), AND OTHER PERTINENT "ACI" SPECIFICATIONS/STANDARDS (GUIDE FOR MEASURING, MIXING, TRANSPORTING AND PLACING CONCRETE - ACI 304, GUIDE TO FORMWORK FOR CONCRETE - ACI 341, EC.).

ALL REINFORCING AND ACCESSORIES SHALL BE DETAILED AND PLACED IN ACCORDANCE WITH THE LATEST EDITION OF THE "AMERICAN CONCRETE INSTITUTE" STANDARDS: "DETAILS AND DETAILING OF CONCRETE REINFORCEMENT" (ACI 315) AND "MANUAL OF ENGINEERING AND PLACING DRAWINGS FOR REINFORCED CONCRETE STRUCTURES" (ACI 315R).

COLD WEATHER AND HOT WEATHER CONCRETING SHALL BE DONE IN ACCORDANCE WITH THE LATEST EDITIONS OF ACI 306 AND ACI 305. IN GENERAL, CONCRETE CONTRACTOR SHALL NOT POUR CONCRETE WHEN THE TEMPERATURE FORECAST DURING THE NEXT 24 HOURS IS TO BE LESS THAN 20 DEGREES FAHRENHEIT. BETWEEN 20 AND 30 DEGREE FAHRENHEIT, CONCRETE MAY BE PLACED IF UNIFORM HEATING IS MAINTAINED FOR AT LEAST 24 HOURS AFTER POURING OF CONCRETE.

ALL CONCRETE SHALL REACH AN ULTIMATE 28 DAY COMPRESSIVE STRENGTH (F'c) AS FOLLOWS:

FOUNDATIONS: 3000 PSI

REINFORCING STEEL: ASTM A415, GRADE 60  
WELDED WIRE FABRIC: ASTM A185, Fy=60 KSI

CONTINUOUS BARS SHALL LAP 44 BAR DIAMETERS WHERE SPLICED, BUT NOT LESS THAN 2'-0". NOT MORE THAN 1/2 THE BARS SHALL BE SPLICED AT ANY ONE LOCATION. PROVIDE "CORNER BARS" AT ALL CORNERS - LAP 2'-6" MINIMUM.

### STRUCTURAL STEEL NOTES

UNLESS NOTED OTHERWISE, THE FOLLOWING MATERIAL SPECIFICATIONS SHALL BE USED:

STRUCTURAL STEEL FRAMING (SHAPES): ASTM A992 GRADE 50 (Fy=50 KSI) U.N.O.  
MISC. STRUCTURAL STEEL (PLATES & ANGLES):  
HSS TUBING: ASTM A36 U.N.O.  
BOLTS: ASTM A-500 GRADE B OR C (Fy=46 KSI MIN.)  
WELDS: 70 KSI TENSILE STRENGTH (MIN.)  
ANCHOR BOLTS: ASTM F1554-GR. 55  
GROUT UNDER BASE PLATES: "SHRINKAGE COMPENSATING" WITH f'c=6,000 PSI

SHOP AND FIELD CONNECTIONS: HIGH STRENGTH BOLTED OR WELDED WITH E70XX ELECTRODES. MINIMUM FILLET WELDS PER TABLE J2.4 AISC (ASD). WELDING SHALL MEET AISC (ASD) SECTION J2.

TABLE J2.4 AISC	
MATERIAL THICKNESS THICKER PART JOINED (INCHES)	MINIMUM SIZE OF FILLET WELD (INCHES)
TO 1/4 INCLUSIVE	1/8
OVER 1/4 TO 1/2	3/16
OVER 1/2 TO 3/4	1/4
OVER 3/4 TO 1 1/2	5/16

WELDING SHALL CONFORM TO THE AISC REQUIREMENTS AS SUPPLEMENTED BY THE LATEST EDITION OF THE AWS STANDARD D11. ALL MANUAL SHIELDED METAL ARC WELDING ELECTRODES TO BE E70XX; THE ELECTRODES SHALL BE OF THE LOW HYDROGEN CLASSIFICATION. ALL WELDING SHALL BE PERFORMED BY QUALIFIED WELDERS, AWS CERTIFIED FOR THE SPECIFIC WELD.

ALL STRUCTURAL STEEL WORK SHALL CONFORM TO THE LATEST REQUIREMENTS OF THE "AMERICAN INSTITUTE OF STEEL CONSTRUCTION (AISC) SPECIFICATION FOR THE DESIGN, FABRICATION AND ERECTION OF STRUCTURAL STEEL FOR BUILDINGS" AND THE "CODE OF STANDARD PRACTICE FOR STEEL BUILDINGS".

ALL STRUCTURAL STEEL SHALL BE SHOP PRIME PAINTED ON ALL SURFACES TYPICAL (U.N.O.) VERIFY COLOR WITH G.C./OWNER.

THE STRUCTURAL STEEL CONTRACTOR SHALL BE RESPONSIBLE FOR PROVIDING ALL STEEL STAIRS AND RAILINGS, INCLUDING ALL ACCESSORIES AND CONNECTIONS. THE CONTRACTOR SHALL HAVE ALL STAIR AND RAILING MEMBERS, ACCESSORIES AND CONNECTIONS DESIGNED BY A STRUCTURAL ENGINEER (LICENSED IN THE STATE OF ILLINOIS) FOR ALL LOADING CONDITIONS REQUIRED BY THE GOVERNING BUILDING CODES. THE DESIGN, MANUFACTURE AND INSTALLATION OF ALL STEEL STAIRS SHALL BE IN ACCORDANCE WITH THE APPLICABLE SPECIFICATIONS HEREIN INCLUDING AISC'S LATEST EDITION. SHOP DRAWINGS (CERTIFIED BY THE STRUCTURAL ENGINEER) SHALL BE SUBMITTED FOR REVIEW PRIOR TO ANY FABRICATION. SHOP DRAWINGS SHALL SPECIFY LOADS IMPOSED ON THE SUPPORTING STRUCTURE. (REVIEW OF SAID DRAWINGS BY THE ENGINEER OF RECORD SHALL BE SOLELY FOR COORDINATION AND SHALL NOT CONSTITUTE A RECERTIFICATION OR APPROVAL THAT THE DESIGN MEETS THE PROJECT DESIGN REQUIREMENTS.)

### DESIGN CRITERIA

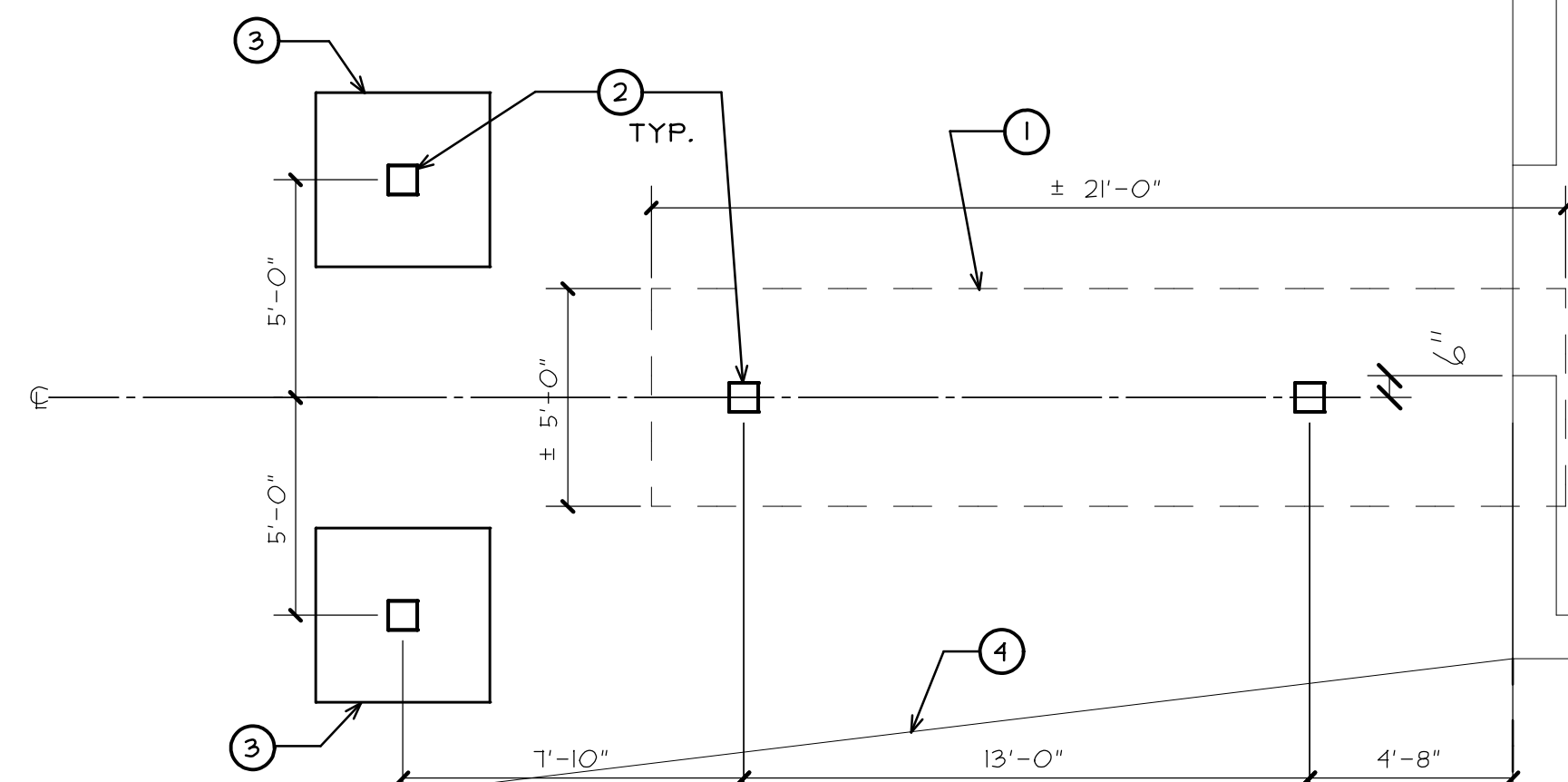
STAIR DESIGN LIVE LOAD: 100 PSF  
ROOF SNOW LOAD: 25 PSF  
WIND SPEED: 90 MPH - EXPOSURE C  
SEISMIC DESIGN CATEGORY: B

### GENERAL NOTES

- THE CONTRACTOR SHALL VISIT THE SITE PRIOR TO BID TO VERIFY EXISTING CONDITIONS AND EXTENT OF THE WORK. ANY ITEMS NOT SPECIFICALLY INDICATED THAT ARE IN CONFLICT WITH CONTRACT WORK SHALL BE BROUGHT TO THE ATTENTION OF THE OWNER PRIOR TO BID FOR CLARIFICATION.
- PATCH OR REPAIR DAMAGED SURFACES CAUSED TO ADJACENT AREAS DURING CONSTRUCTION OPERATIONS.
- ALL ITEMS REMOVED AND NOT SALVAGED SHALL BE PROPERLY DISPOSED OF OFF SITE BY THE CONTRACTOR.
- CONTRACTOR TO PROVIDE PROTECTION TO THE ADJACENT NATURAL LANDSCAPING. DISTURBANCE TO BE KEPT TO A MINIMUM.
- CONTRACTOR TO REMOVE ANY CONSTRUCTION MATERIALS THAT FALL IN THE LAKE AND THE SHORELINE TO BE RETURNED TO PRE CONSTRUCTION STATE AFTER CONSTRUCTION.
- FOR FIBERGLASS PULTRUDED GRATE DECKING ALL CUT EDGES AND PENETRATIONS TO BE COATED WITH EPOXY RESIN COATING PER MANUFACTURERS RECOMMENDATIONS.
- ALL EXPOSED STRUCTURAL STEEL TO BE GALVANIZED. (TYPICAL)
- ALL WORK SHALL BE DONE IN A WORKMANLIKE MANNER IN STRICT ACCORDANCE WITH LOCAL BUILDING CODES, CURRENT INTERNATIONAL BUILDING CODE (IBC) AND ALL AUTHORITIES' HAVING JURISDICTION.
- ALL CONTRACTORS SHALL VERIFY ALL CONDITIONS, DIMENSIONS & MATERIALS BEFORE PROCEEDING WITH WORK AND SHALL REPORT ANY DISCREPANCIES TO THE OWNERS AND SHALL BE RESPONSIBLE FOR SAME.
- ALL FOOTINGS TO BE DOWN TO UNDISTURBED SOIL, 4'-0" BELOW FINISHED GRADE.
- ASSUMED DESIGN SOIL BEARING PRESSURE = 3,000 PSF. TO BE VERIFIED BY A QUALIFIED GEOTECHNICAL ENGINEER PRIOR TO PLACEMENT OF FOUNDATIONS.
- FOUNDATION CONCRETE SHALL NOT BE PLACED IN EXCAVATIONS CONTAINING WATER.
- ALL EXCAVATIONS SHALL BE KEPT DRY BY PUMPING, WELL POINTS OR OTHER MEANS UNTIL ALL UNDERGROUND CONSTRUCTION IS COMPLETED AND CONCRETE HAS ATTAINED ITS INITIAL SET.

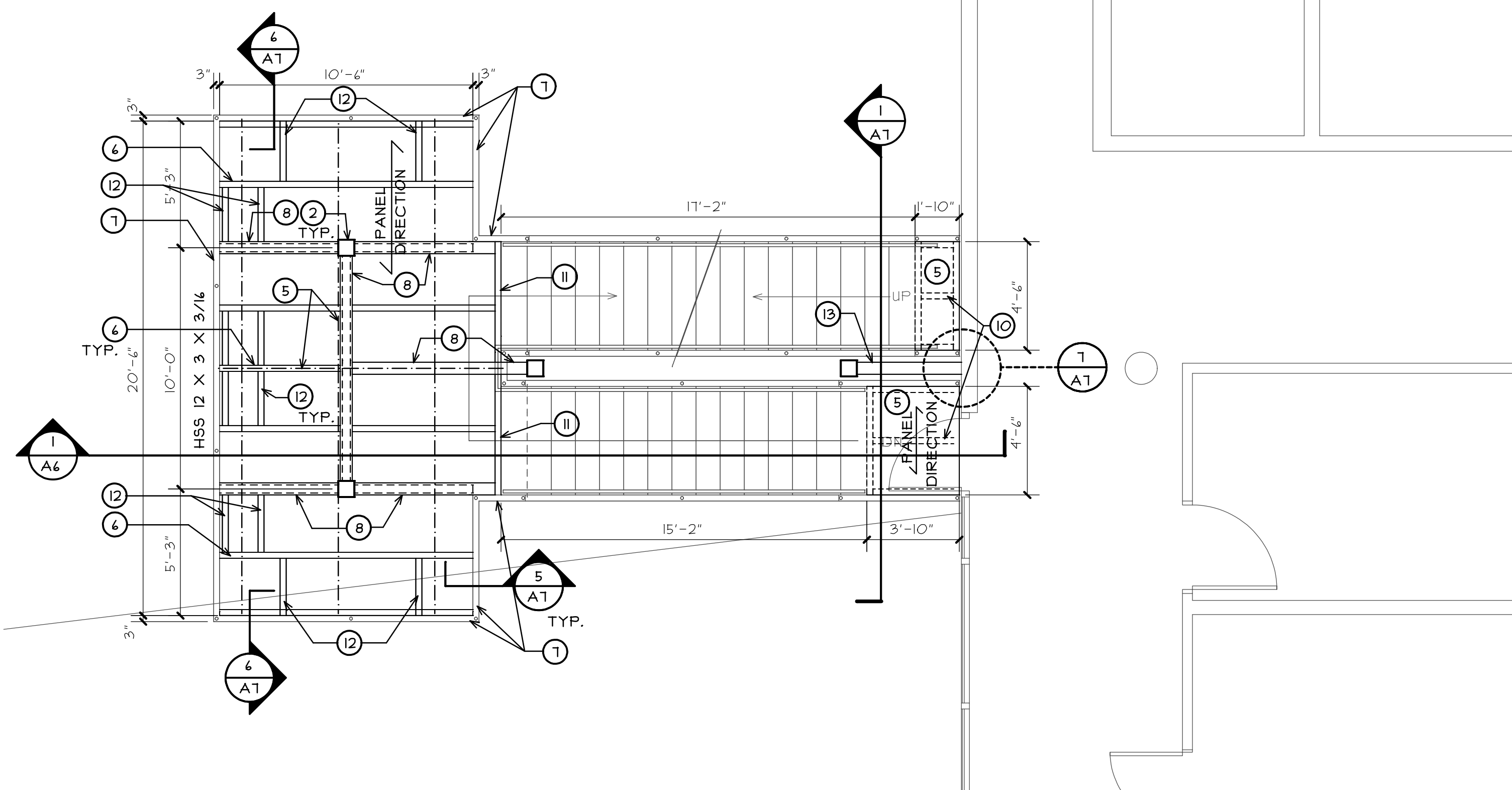
### KEY NOTES

- EXISTING FOOTING TO REMAIN. VERIFY EXISTING SIZE AND LOCATION IN FIELD
- PROVIDE HSS 8 X 8 X 1/4" STEEL COLUMN. SEE SECTIONS AND DETAILS FOR COLUMN BASE CONNECTION.
- PROVIDE NEW 4'-0" X 4'-0" X 1'-0" CONCRETE FOOTING WITH (4) - #5 BARS EACH WAY.
- EXISTING SHORE LINE. (V.I.F.)
- PROVIDE PULTRUDED FIBERGLASS GRATE DECKING WITH CONCEALED FASTENERS ("DURAGRID" PULTRUDED GRATING M5-T 120 SERIES BY MCNICHOLS COMPANY OR APPROVED EQUAL.) (LINES DESIGNATE LOCATION OF DECKING PANEL JOINTS.) USE FULL SIZE WIDTH PANEL AT MUCH AS POSSIBLE. (INSTALL CONCEALED FASTENERS PER GRATING MANUFACTURERS RECOMMENDATIONS)
- HSS 6 X 3 X 3/16 DECKING SUPPORT FRAMING AT 30" O.C. MAX
- PROVIDE CONTINUOUS HSS 12 X 3 X 3/16" STEEL.
- HSS 6 X 6 X 3/16 DECKING SUPPORT FRAMING
- HSS 4 X 4 X 3/16 KICKERS BELOW - SEE SECTION
- STEEL STAIR CONTRACTOR TO PROVIDE SUPPORT FOR FIBERGLASS GRATE DECKING AT TOP AND BOTTOM LANDING. (MAXIMUM GRATING SPAN IS 30" IN LONG DIRECTION)
- HSS 6 X 3 X 3/16 DECKING SUPPORT FRAMING
- PROVIDE 3 X 3 X 3/16 GALVANIZED STEEL ANGLE FOR FLOOR MOUNTED BENCH ANCHORS. COORDINATE LOCATION WITH BENCHES. SEE SECTION
- HSS 6 X 6 X 3/16 STEEL SUPPORT FRAMING (BOTTOM OF TUBE TO BE FLUSH WITH ADJACENT STAIR STRINGER AT TOP LANDING)(V.I.F.)



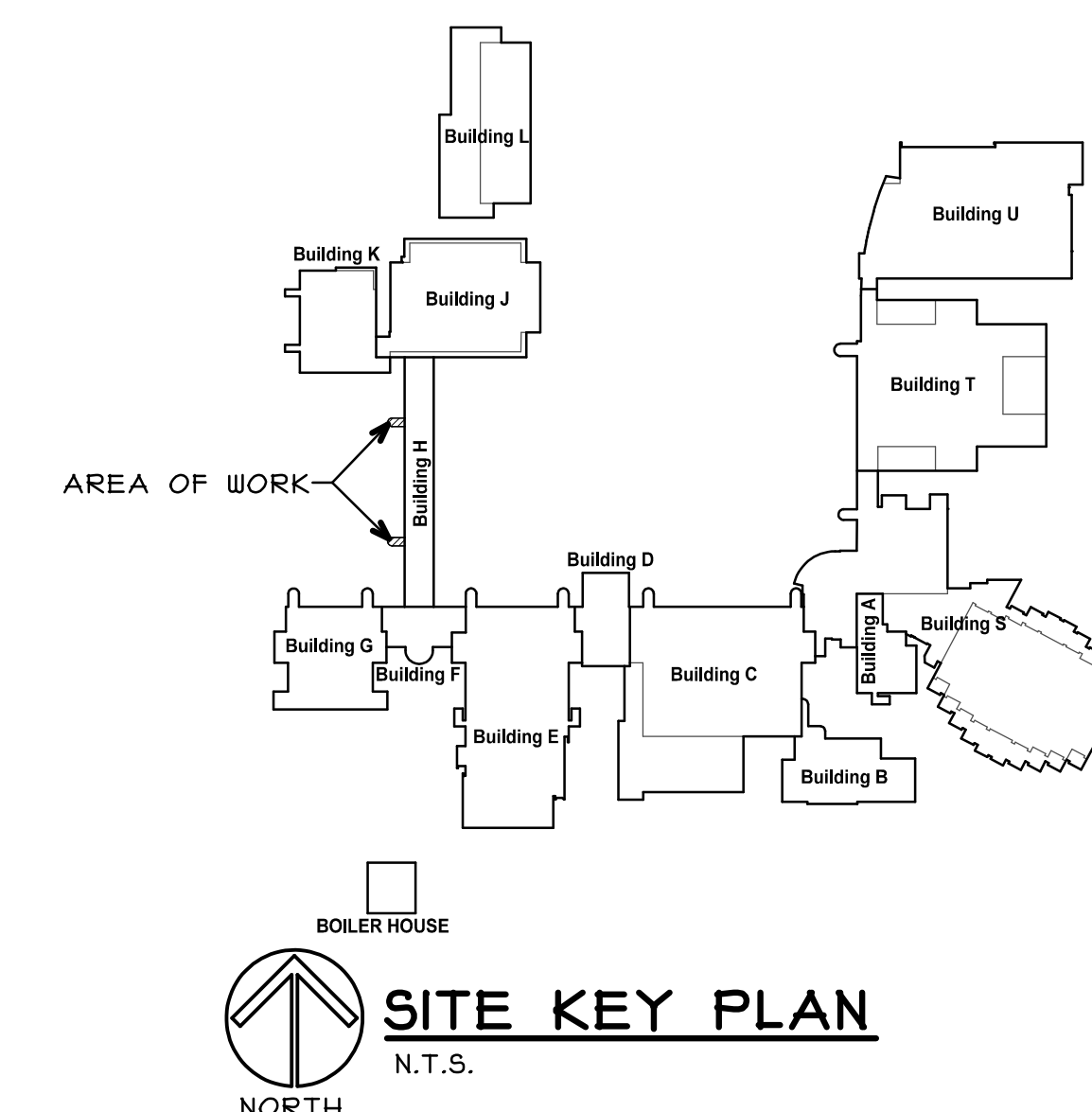
**PARTIAL FOUNDATION PLAN - BUILDING H NORTH END (SOUTH END SIM.)**

SCALE: 1/4" = 1'-0"



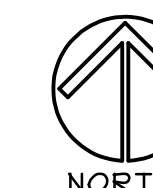
**PARTIAL FRAMING PLAN - BUILDING H NORTH END (SOUTH END SIM.)**

SCALE: 1/4" = 1'-0"



**SITE KEY PLAN**

N.T.S.



REGISTRATION

STROMSLAND + de young + prybys  
ARCHITECTURE GROUP  
20620 Burl Court - 102  
Joliet, Illinois 60433  
www.sdpagroup.com  
L. N.: 184-000437  
815-727-1311

NUMBER

SET

STAIR REPLACEMENT  
JOLIET JUNIOR COLLEGE - BUILDING H  
1215 HOUBOLT ROAD  
JOLIET, ILLINOIS

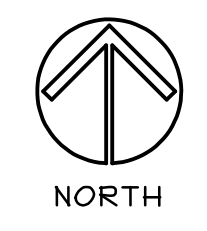
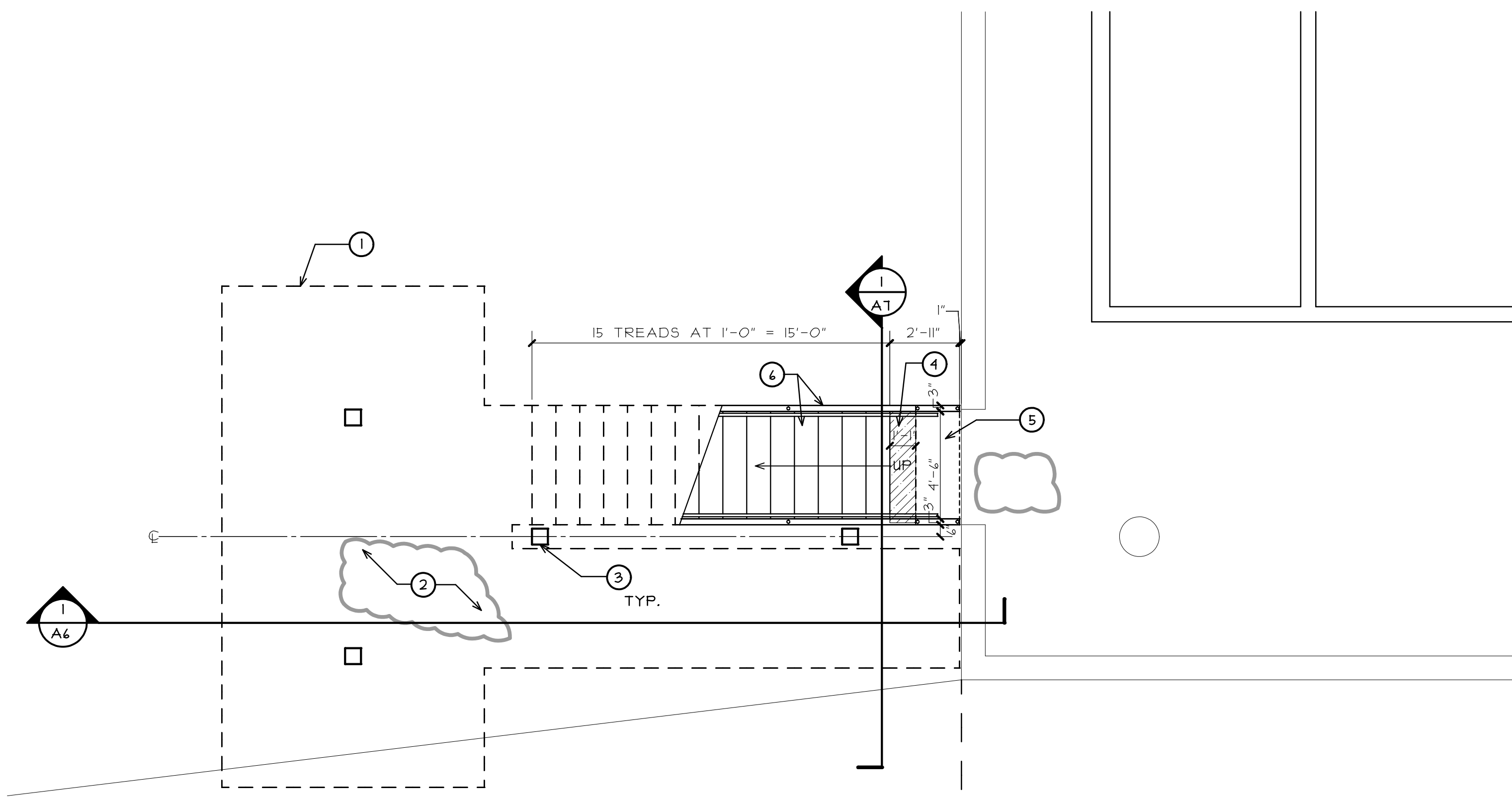
DATE: 5/4/2015  
REVISED: 5/18/2015

PROJECT NO.  
1411-02

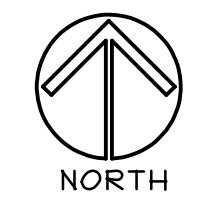
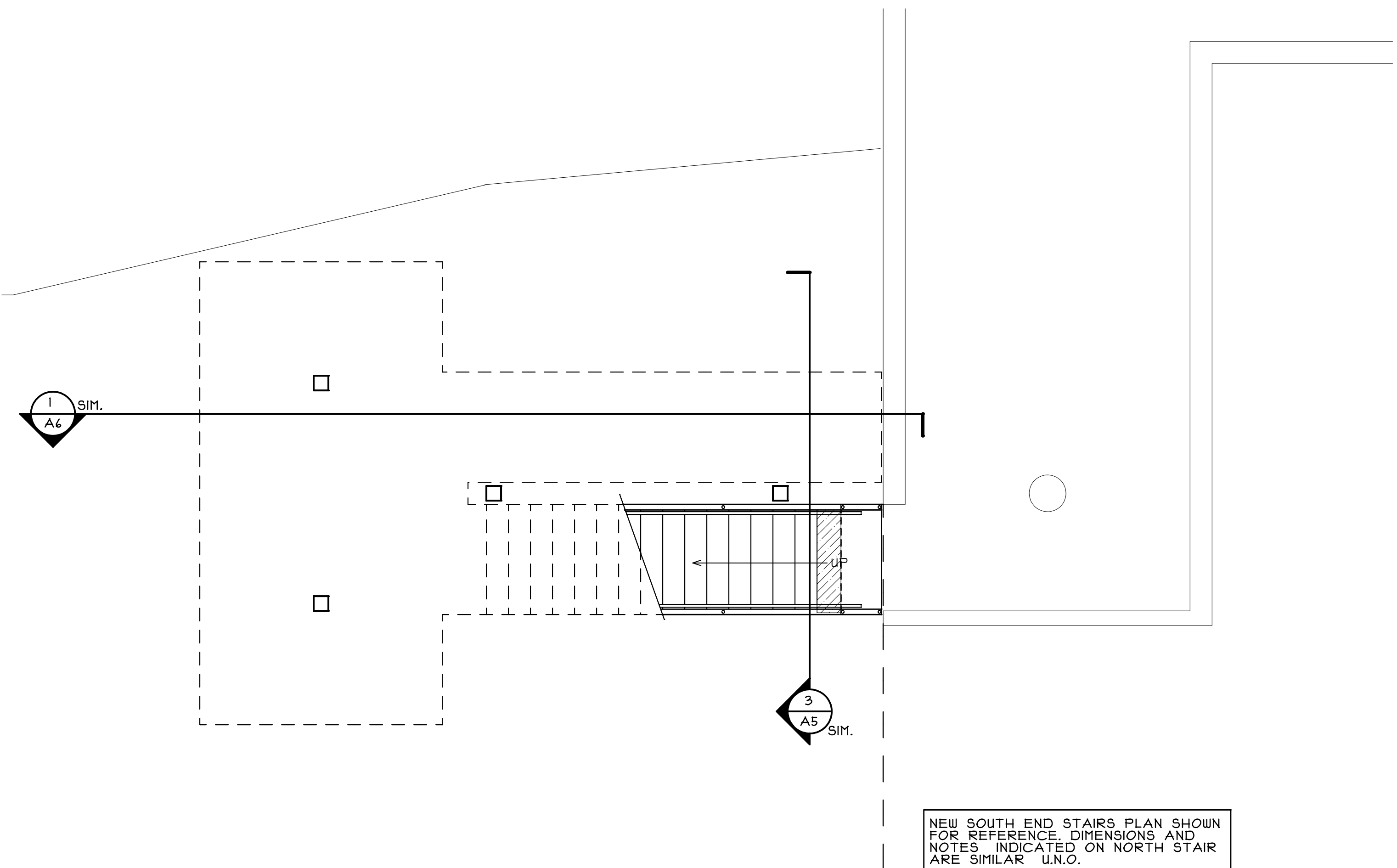
SHEET NUMBER

A1

OF 9 SHEETS



**PARTIAL GROUND FLOOR PLAN - BUILDING H NORTH END**  
SCALE: 1/4" = 1'-0"



**PARTIAL GROUND FLOOR PLAN - BUILDING H SOUTH END**  
SCALE: 1/4" = 1'-0"

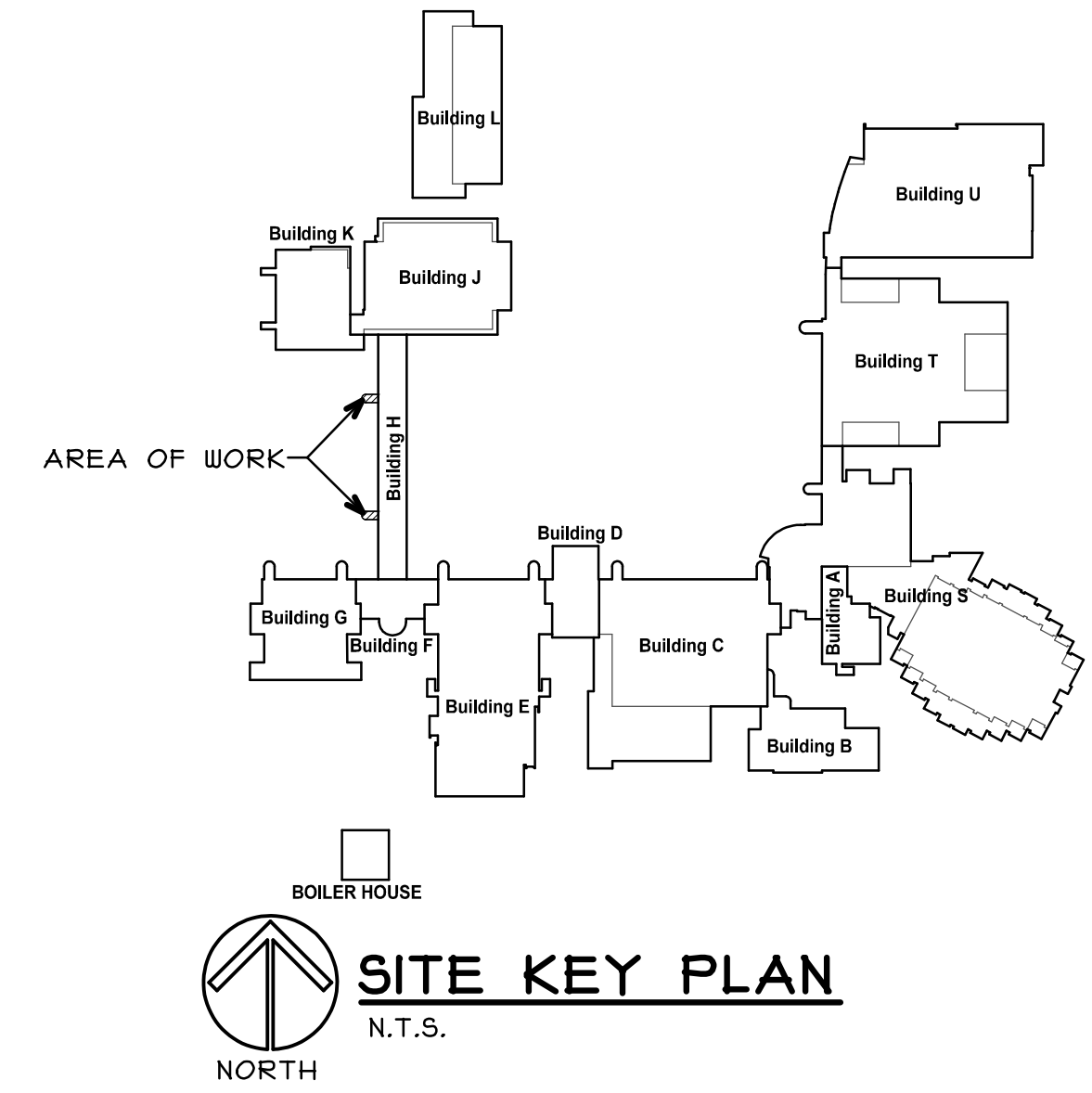
NEW SOUTH END STAIRS PLAN SHOWN FOR REFERENCE. DIMENSIONS AND NOTES INDICATED ON NORTH STAIR ARE SIMILAR U.N.O.

**GENERAL NOTES**

- A. NEW STEEL STAIRS TO BE DESIGNED AND DRAWINGS STAMPED BY A STRUCTURAL ENGINEER LICENSED IN THE STATE OF ILLINOIS.
- B. THE CONTRACTOR SHALL VISIT THE SITE PRIOR TO BID TO VERIFY EXISTING CONDITIONS AND EXTENT OF THE WORK. ANY ITEMS NOT SPECIFICALLY INDICATED THAT ARE IN CONFLICT WITH CONTRACT WORK SHALL BE BROUGHT TO THE ATTENTION OF THE OWNER PRIOR TO BID FOR CLARIFICATION.
- C. PATCH OR REPAIR DAMAGED SURFACES CAUSED TO ADJACENT AREAS DURING CONSTRUCTION OPERATIONS.
- D. ALL ITEMS REMOVED AND NOT SALVAGED SHALL BE PROPERLY DISPOSED OF OFF SITE BY THE CONTRACTOR.
- E. LANDSCAPE THAT HAS BEEN DISTURBED AT PROJECT AREA DURING CONSTRUCTION TO BE RESTORED TO EXISTING CONDITION AT CONCLUSION OF CONSTRUCTION. (U.N.O.)

**KEY NOTES**

- ① OUTLINE OF NEW STAIRS AND LANDING ABOVE.
- ② RESTORE LANDSCAPE AT BASE OF NEW STAIRS, BY REGRADING SOIL AS NEEDED AND PROVIDE WEED BARRIER AND LAYER OF RIVER ROCK TO MATCH EXISTING.
- ③ PROVIDE NEW GALVANIZED STEEL COLUMNS. SEE FRAMING PLAN
- ④ PROVIDE ADDITIONAL BENT METAL STAIR TREAD WITH NON SLIP FINISH AT LANDING. (WALKING SURFACE TO BE FLUSH WITH LANDING)
- ⑤ PROVIDE FIBERGLASS PULTRUDED GRATING DECKING ON LANDING WITH CONCEALED FASTENERS INSTALLED PER GRATING MANUFACTURERS RECOMMENDATIONS.
- ⑥ PROVIDE NEW GALVANIZED METAL STAIR STRINGERS WITH BENT METAL STAIRS TREADS WITH NON SLIP SURFACE.



**SITE KEY PLAN**  
N.T.S.

REGISTRATION  
SEAL

stromsland + de young + prybys  
ARCHITECTURE GROUP  
20620 Burl Court - 102  
Joliet, Illinois 60433  
815-727-1311  
www.sdpagroup.com  
L. N. : 184-00437

NUMBER  
SET

**STAIR REPLACEMENT**  
JOLIET JUNIOR COLLEGE - BUILDING H  
1215 HOUBOLT ROAD  
JOLIET, ILLINOIS

DATE: 5/4/2015  
REVISED: 5/18/2015

PROJECT NO.  
1411-02

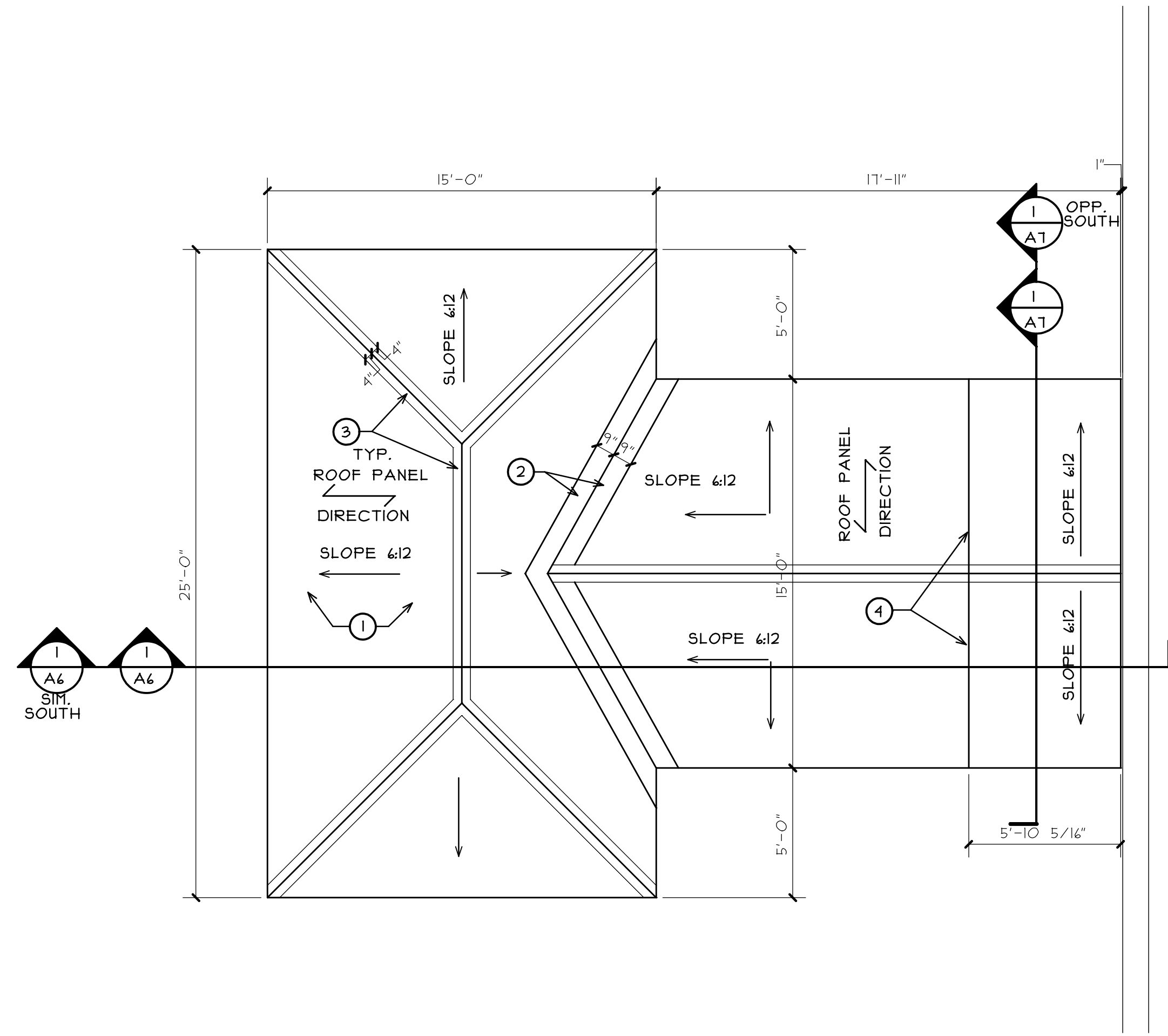
SHEET NUMBER  
**A2**

OF 9 SHEETS

P:\JUC - BUILDING H STAIR REPLACEMENT\DRAWINGS\ARCH\HIL\_02 A2.AEC

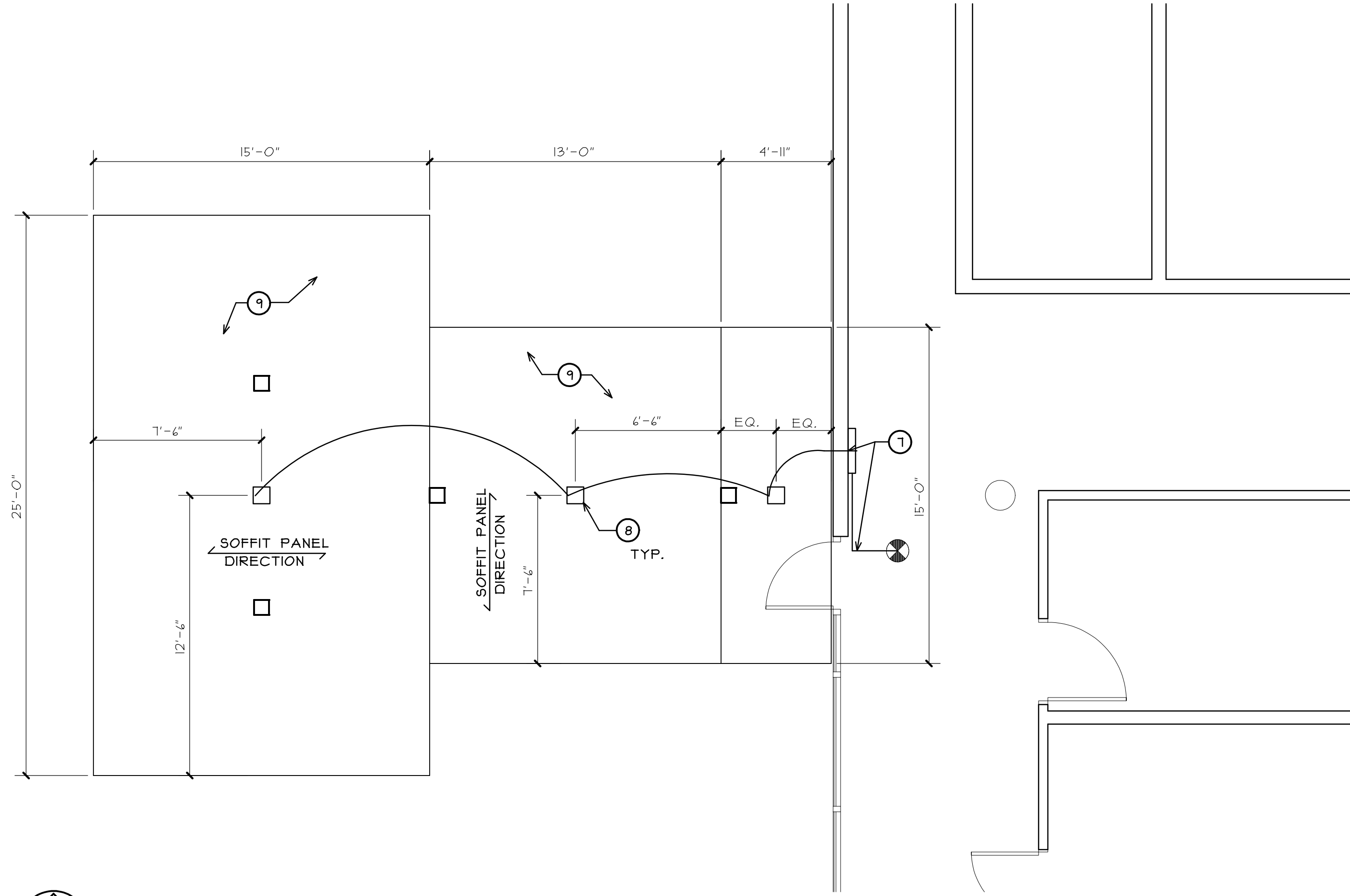






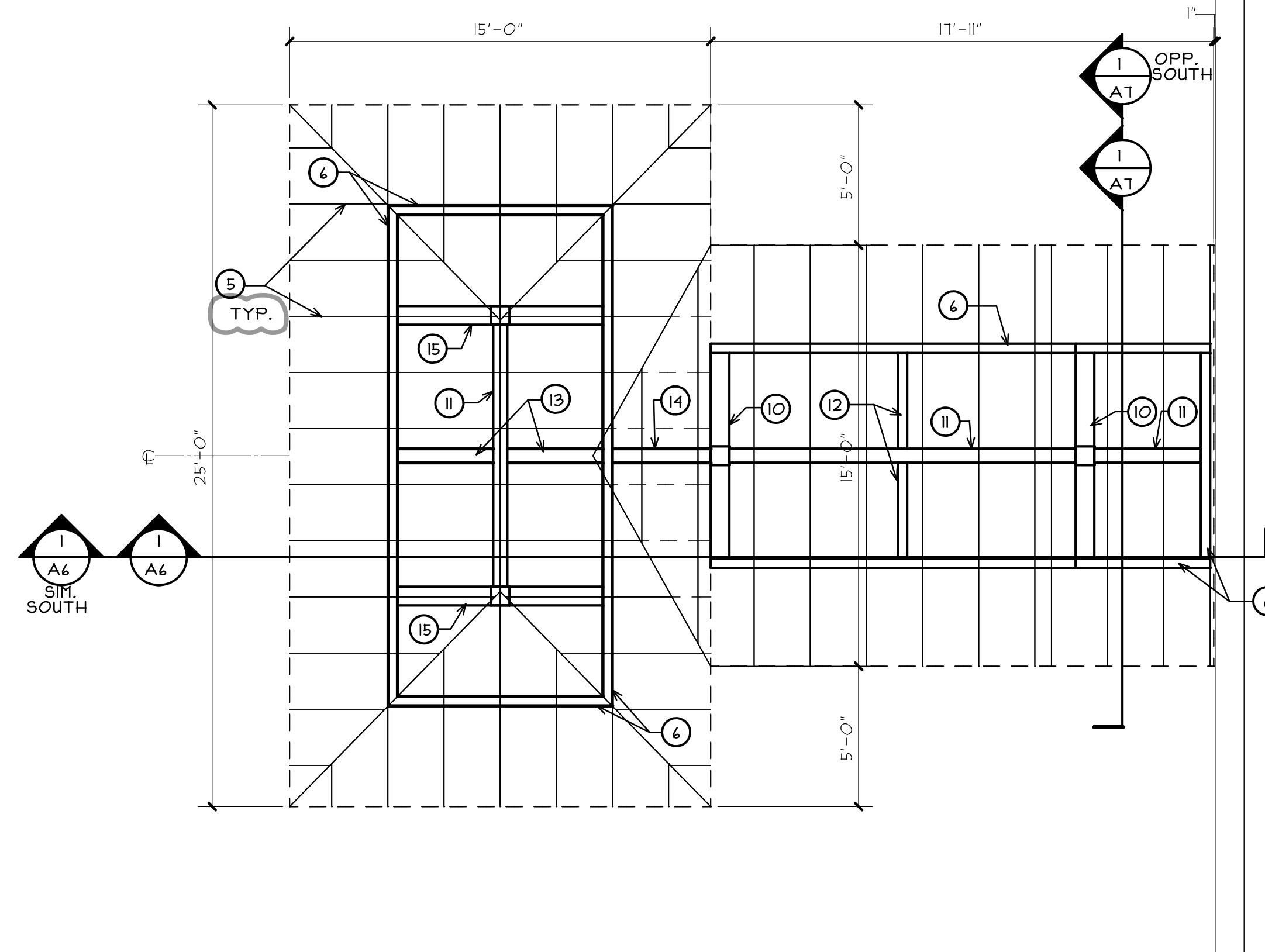
**PARTIAL ROOF PLAN - BUILDING H NORTH END (SOUTH END SIM.)**

SCALE: 1/4" = 1'-0"



**PARTIAL CEILING PLAN - BUILDING H NORTH END (SOUTH END SIM.)**

SCALE: 1/4" = 1'-0"



**PARTIAL ROOF FRAMING PLAN BUILDING H NORTH (SOUTH END SIM.)**

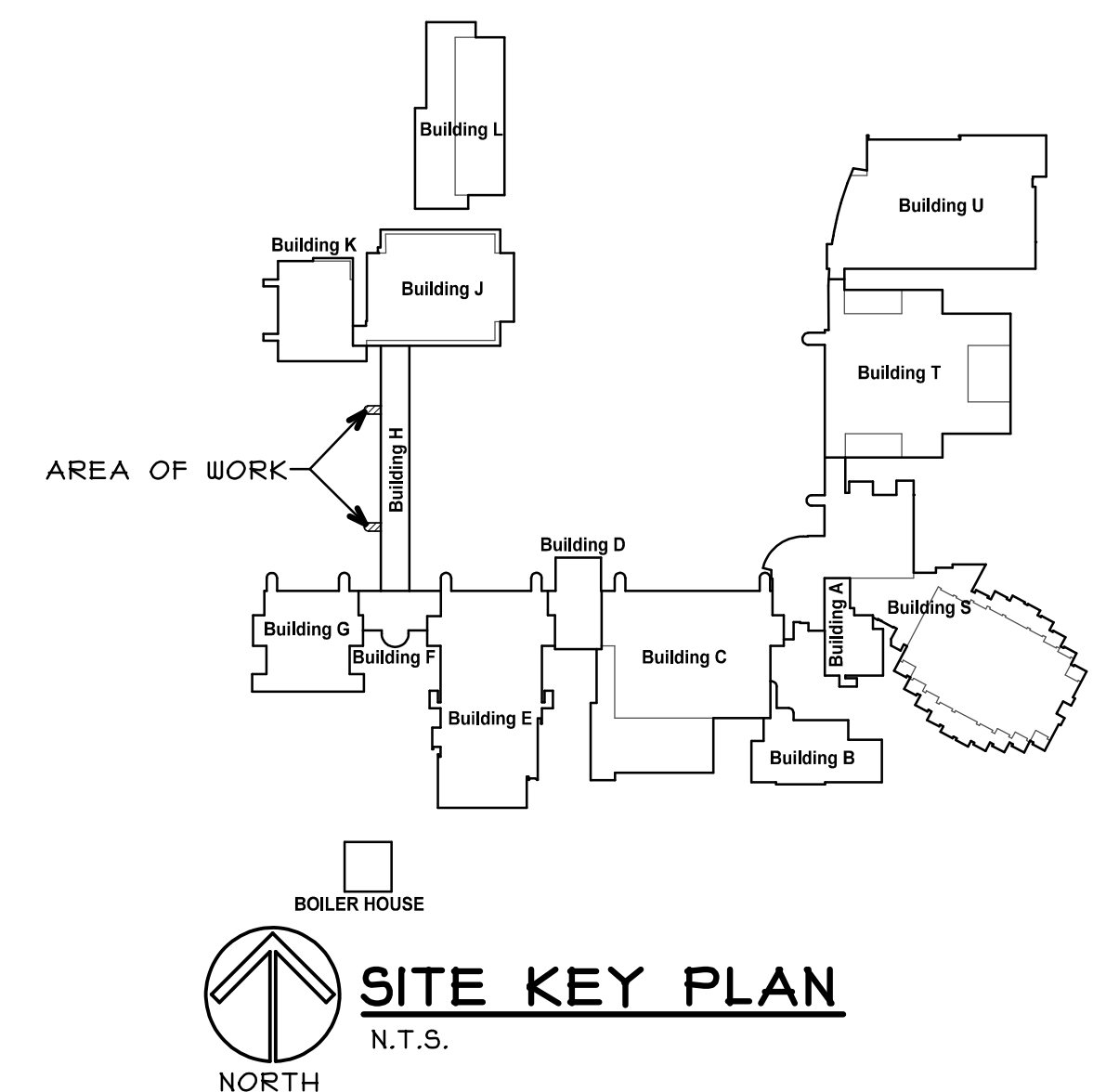
SCALE: 1/8" = 1'-0"

**GENERAL NOTES**

- A. NEW METAL STANDING SEAM ROOF TO BE A COMPLETE SYSTEM WITH VALLEY AND RIDGE PIECES BY ROOFING MANUFACTURER
- B. NEW LIGHT FIXTURES TO BE EXTERIOR GRADE WEATHER PROOF TYPE
- C. ALL NEW STEEL TO BE GALVANIZED. (U.N.O.)

**KEY NOTES**

- ① PROVIDE METAL STANDING SEAM PANEL ROOFING. COLOR TO BE SELECTED
- ② PROVIDE PRE-FINISHED BENT ALUMINUM VALLEY BY ROOFING MANUFACTURER. COLOR TO MATCH ROOF PANELS (INSTALL PER ROOFING MANUFACTURERS RECOMMENDATIONS)
- ③ PRE-FINISHED ALUMINUM RIDGE AND HIP CAP BY ROOFING MANUFACTURER.
- ④ WRAP ROOF PANELS OVER ROOF TRANSITION.
- ⑤ PROVIDE 6" METAL ROOF RAFTERS AT 24" O.C.
- ⑥ CONTINUOUS HSS 6 X 4 X 3/16 STEEL SUPPORT FRAMING. (TYP.)
- ⑦ STUB 1/2" CONDUIT THROUGH EXISTING WALL FOR NEW LIGHTS IN STAIR CEILING. PROVIDE SURFACE MOUNTED WIRE MOLD RACEWAY UP WALL AND TO NEW SURFACE MOUNTED POWER INVERTER. CONTINUE RACEWAY ALONG CEILING TO EXISTING EXIT SIGN LOCATION AND CONNECT TO EXISTING EMERGENCY CIRCUIT. (V.I.F.)
- ⑧ PROVIDE WEATHER PROOF SURFACE MOUNTED LED LIGHT FIXTURE WITH PHOTO-CELL AND SURFACE MOUNTED INVERTER. (MODEL FFU122- 20W HP - 4000K - 120 - OP - WHT - WET - PC- EMB125R BY LUMINAIRE LIGHTING OR APPROVED EQUAL) CONNECT TO EXISTING EMERGENCY CIRCUIT. (BATTERY ON ONLY WITH LOSS OF POWER)
- ⑨ PROVIDE ALUMINUM SOFFIT PANELS. (COLOR TO BE SELECTED)
- ⑩ PROVIDE HSS 8 X 8 X 3/16 STEEL CONTINUOUS OVER COLUMN
- ⑪ PROVIDE HSS 6 X 6 X 3/16 STEEL BETWEEN COLUMNS
- ⑫ PROVIDE HSS 6 X 4 X 3/16 STEEL
- ⑬ PROVIDE HSS 6 X 6 X 3/16 STEEL
- ⑭ PROVIDE HSS 6 X 6 X 3/16 STEEL FROM LOWER ROOF STEEL SUPPORT FRAMING TO COLUMN AS SHOWN.
- ⑮ PROVIDE HSS 8 X 6 X 3/16 STEEL CONTINUOUS OVER COLUMN. (LONG SIDE HORIZONTAL)



**SITE KEY PLAN**

N.T.S.

REGISTRATION

stromsland + de young + prybys  
**ARCHITECTURE GROUP**  
 20620 Burl Court - 102  
 Joliet, Illinois 60433  
 www.sdpgroup.com  
 L. N. : 184-000437  
 815-727-1311

SET NUMBER

**STAIR REPLACEMENT**  
 JOLIET JUNIOR COLLEGE - BUILDING H  
 1215 HOUBOLT ROAD  
 JOLIET, ILLINOIS

DATE: 5/4/2015  
 REVISED: 5/18/2015

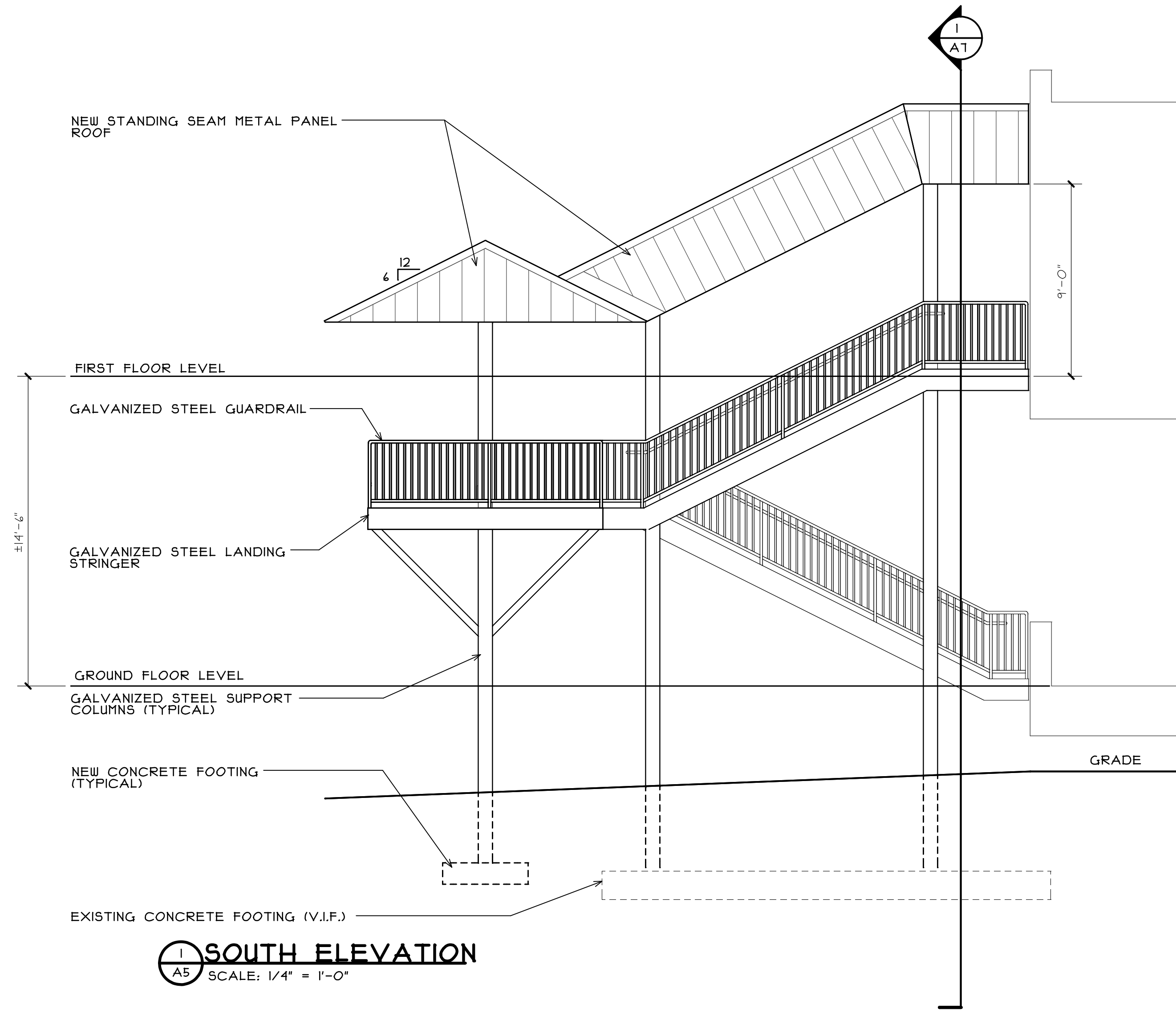
PROJECT NO. 1411-02

SHEET NUMBER

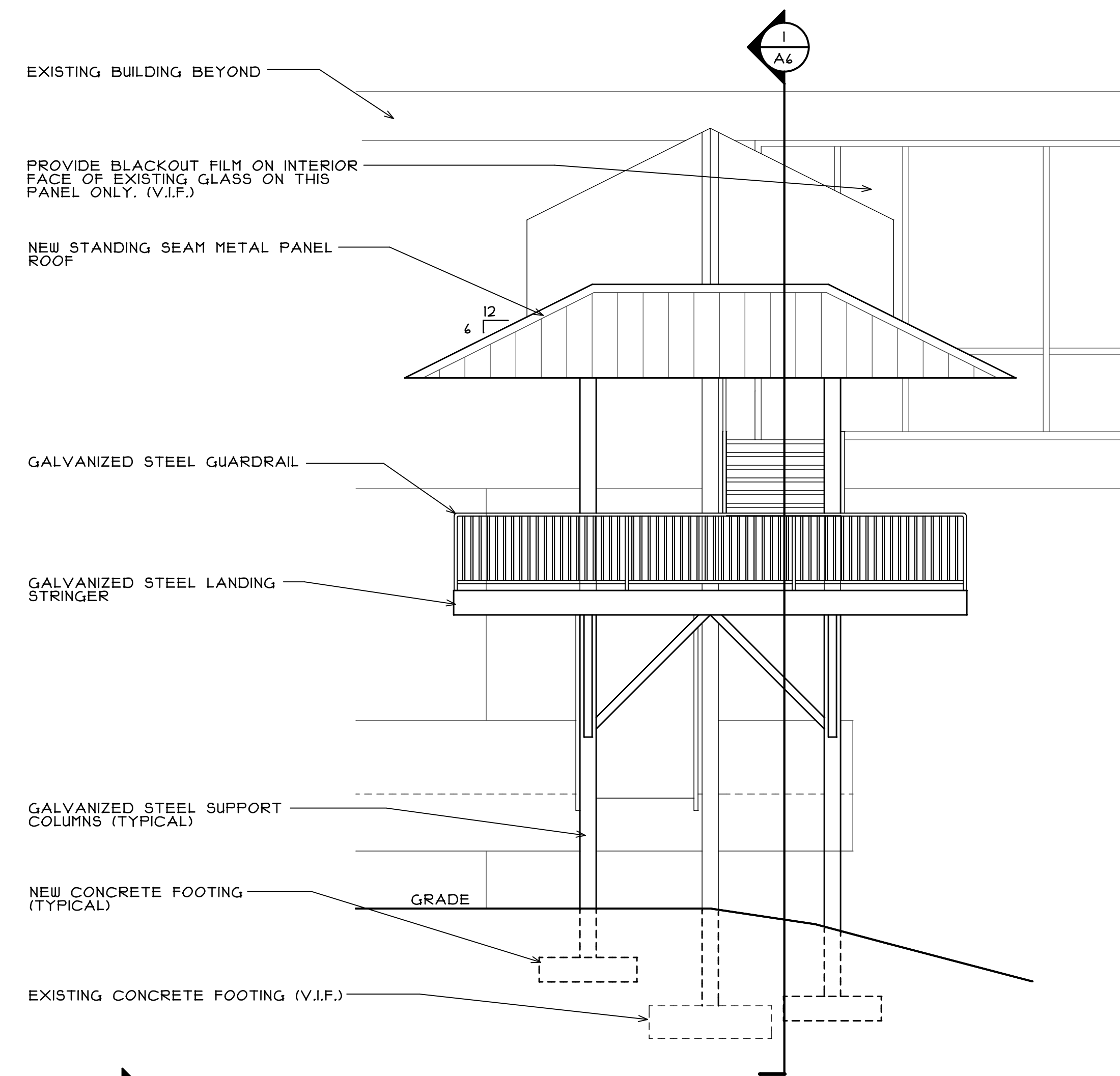
**A4**

OF 9 SHEETS

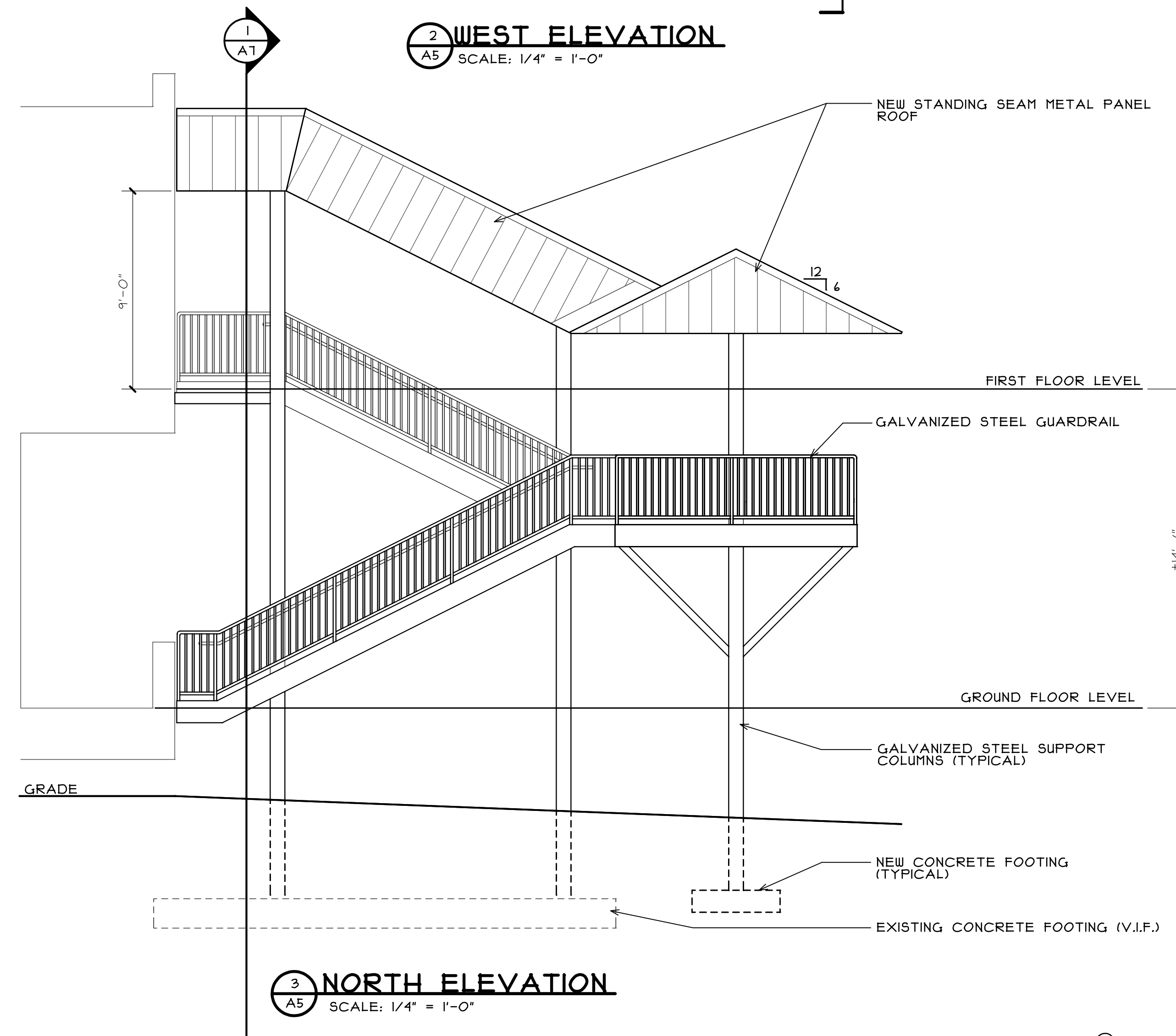
P:\JUC - BUILDING H STAIR REPLACEMENT\DRAWINGS\ARCH\HL\_02 A5AEC



**1 SOUTH ELEVATION**  
SCALE: 1/4" = 1'-0"



**2 WEST ELEVATION**  
SCALE: 1/4" = 1'-0"



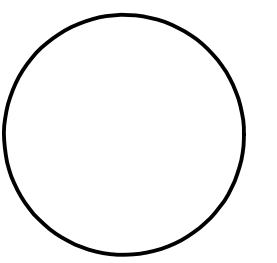
**3 NORTH ELEVATION**  
SCALE: 1/4" = 1'-0"

REGISTRATION

SEAL

stromsland + de young + prybys  
ARCHITECTURE GROUP  
20620 Burl Court - 102  
Joliet, Illinois 60433  
815-727-1311  
www.sdpagroup.com  
L. N. : 184-00437

NUMBER  
SET



STAIR REPLACEMENT  
JOLIET JUNIOR COLLEGE - BUILDING H  
1215 HOUBOLT ROAD  
JOLIET, ILLINOIS

DATE: 5/4/2015  
REVISED:

PROJECT NO.  
1411-02

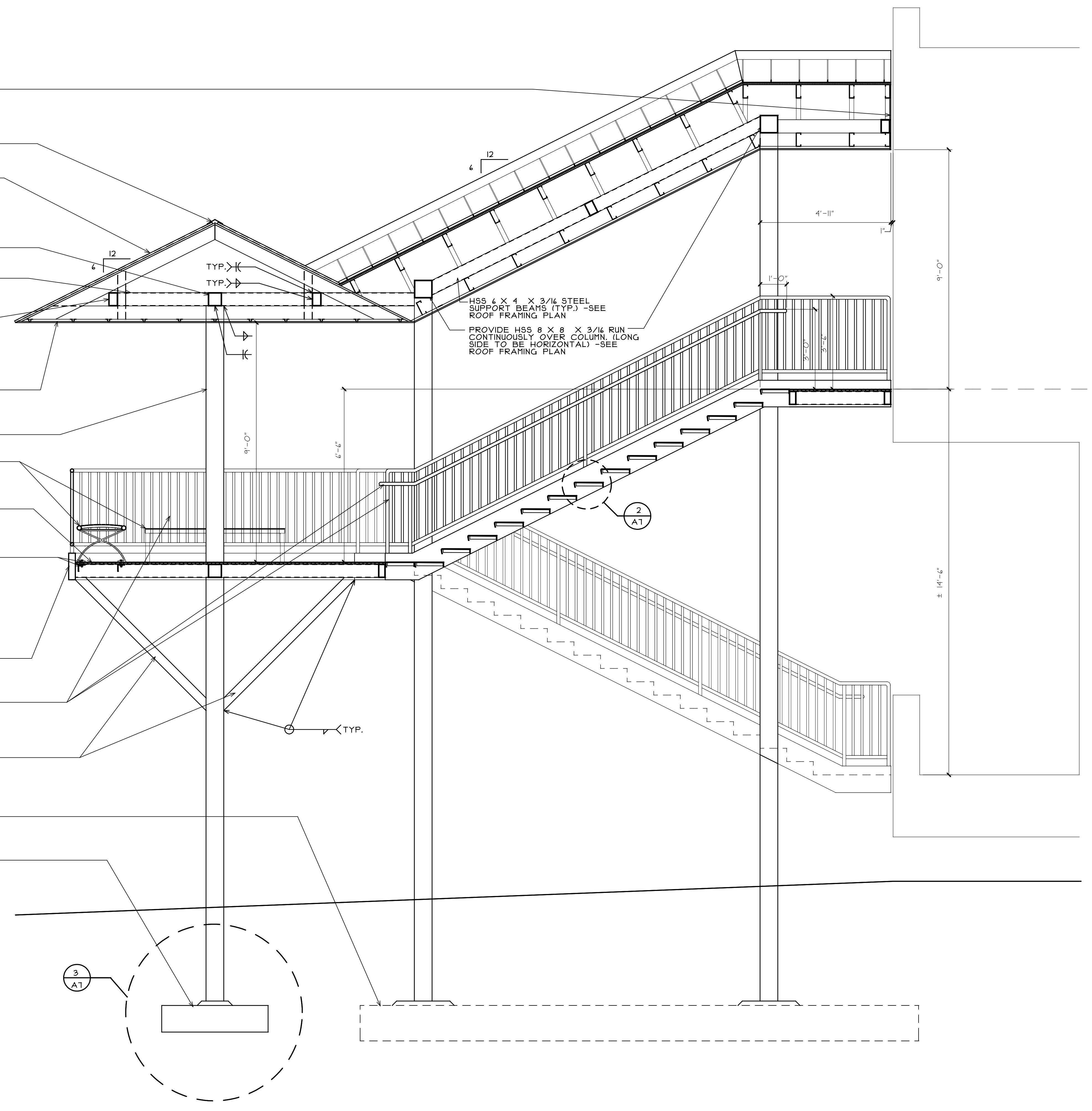
SHEET NUMBER

A5

OF 9 SHEETS



- PROVIDE FINISHED ALUMINUM VERTICAL SOFFIT PANEL BACK SCREWED BETWEEN NEW STAIR ROOF AND EXISTING BUILDING TO CLOSE OFF OPEN GABLE. (V.I.F.)
- PRE-FINISHED 4" ALUMINUM RIDGE CAP BY ROOFING MANUFACTURER (COLOR TO MATCH ROOF PANELS)
- PROVIDE METAL STANDING SEAM ROOF PANELS ON ICE AND WATER SHIELD ON 3/4" FIRERATED PLYWOOD SHEATHING ON 4" METAL STUD FRAMING AT 24" O.C. (ROOF PANELS TO BE INSTALLED PER MANUFACTURERS RECOMMENDATIONS)
- PROVIDE HSS 6 X 6 X 3/16 BETWEEN COLUMNS. - SEE ROOF FRAMING PLAN
- PROVIDE HSS 8 X 4 X 3/16 RUN CONTINUOUSLY OVER COLUMN. (LONG SIDE TO BE HORIZONTAL) -SEE ROOF FRAMING PLAN
- HSS 4 X 4 X 3/16 STEEL SUPPORT BEAMS (TYP.) -SEE ROOF FRAMING PLAN
- ALUMINUM SOFFIT PANEL ON 1" HAT CHANNELS AT 16" O.C. RUN PERPENDICULAR TO AND ATTACHED TO BOTTOM OF METAL STUD FRAMING.
- HSS 8 X 8 X 1/4 STEEL COLUMN. (TYPICAL)
- FLOOR MOUNTED STEEL BENCH ANCHORED TO FLOOR GRATING STRUCTURE BELOW. (COORDINATE LOCATION WITH FLOOR GRATING SLATS -SEE ANCHOR NOTE)
- FIBERGLASS FULTRUDED GRATING -SEE FRAMING PLAN FOR PANEL LAYOUT AND STEEL SUPPORT STRUCTURE
- DRILL 1/2" HOLE IN GRATE FLOOR DECKING (CENTER HOLE IN FLOOR SLAT SPACING) FOR FLOOR BENCH ANCHORS (COAT HOLE WITH EPOXY RESIN PER FLOORING MANUFACTURERS RECOMMENDATIONS) PROVIDE 1/2" ANCHOR BOLT AND 3 X 3 X 3/16 METAL ANGLE ATTACHED TO FLOOR STRUCTURE BELOW FOR BENCH ANCHORING (COORDINATE IN FIELD WITH GRATE FLOOR SPACING)
- CONTINUOUS HSS 12 X 3 X 3/16 STEEL AT LANDING
- 1 1/2" GALVANIZED STEEL RAILING, GUARD RAILING AND POSTS WITH 1" VERTICAL PICKETS. (PICKET SPACING NOT TO ALLOW A 4" SPHERE TO PASS THROUGH)(COLOR TO MATCH STAIR STRINGERS)
- HSS 4 X 4 X 3/16 STEEL DIAGONAL BRACING MOUNTED TO COLUMN AND STEEL FRAMING. (TYPICAL)
- EXISTING CONCRETE FOOTING. (V.I.F.)
- NEW CONCRETE FOOTING



**1 STAIR SECTION**  
 A6 SCALE: 1/2" = 1'-0"

P:\JUC - BUILDING H STAIR REPLACEMENT\DRAWINGS\ARCH\1411\_02 A6.AEC

REGISTRATION  
 SEAL

stromland + de young + prybys  
 ARCHITECTURE GROUP  
 20820 Burl Court - 102  
 Joliet, Illinois 60433  
 815-727-1311  
 L. N. : 184-000437  
 www.sdpagroup.com

SET  
 NUMBER  
 (Circle containing the number 1)

**STAIR REPLACEMENT**  
 JOLIET JUNIOR COLLEGE - BUILDING H  
 1215 HOUBOLT ROAD  
 JOLIET, ILLINOIS

DATE:  
 5/4/2015  
 REVISED:

PROJECT NO.  
 1411-02

SHEET NUMBER

**A6**

OF 9 SHEETS

PRE-FINISHED 4" ALUMINUM RIDGE CAP BY ROOFING MANUFACTURER (COLOR TO MATCH ROOF PANELS)

PROVIDE METAL STANDING SEAM ROOF PANELS ON ICE AND WATER SHIELD ON 3/4" FIRERATED PLYWOOD SHEATHING ON 4" METAL STUD FRAMING AT 24" O.C. (ROOF PANELS TO BE INSTALLED PER MANUFACTURERS RECOMMENDATIONS)

PROVIDE HSS 4 X 4 X 3/16 BETWEEN COLUMNS. - SEE ROOF FRAMING PLAN

PROVIDE HSS 4 X 4 X 3/16 RUN CONTINUOUSLY OVER COLUMN. (LONG SIDE TO BE HORIZONTAL) -SEE ROOF FRAMING PLAN

HSS 4 X 4 X 3/16 STEEL SUPPORT BEAMS (TYP.) -SEE ROOF FRAMING PLAN

ALUMINUM SOFFIT PANEL ON 1/8" HAT CHANNELS AT 16" O.C. RUN PERPENDICULAR TO AND ATTACHED TO BOTTOM OF METAL STUD FRAMING.

FIBERGLASS PULTRUDED GRATING -SEE FRAMING PLAN FOR PANEL LAYOUT AND STEEL SUPPORT STRUCTURE

HSS 4 X 4 X 3/16 STEEL MOUNTED TO NEW COLUMN AND EXISTING BUILDING. -SEE FRAMING PLAN AND DETAIL 1 ON SHEET A1. (BOTTOM OF TUBE TO BE EVEN WITH BOTTOM OF STAIR STRINGER AT TOP LANDING)

MIDWAY STAIR LANDING BEYOND

HSS 8 X 8 X 1/4 STEEL COLUMN.

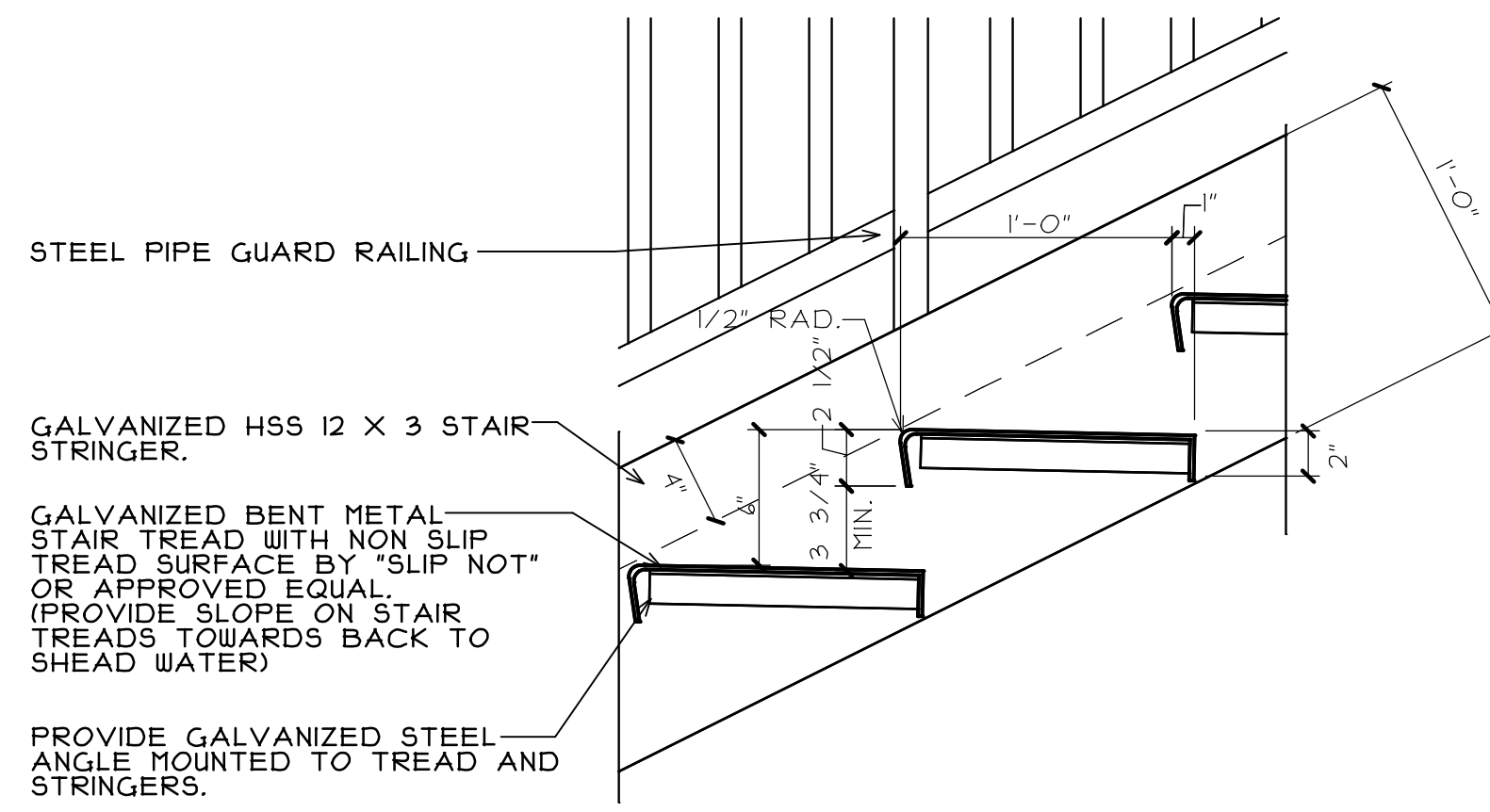
1 1/2" GALVANIZED STEEL RAILING GUARD RAILING AND POSTS WITH 1" VERTICAL PICKETS. (PICKET SPACING NOT TO ALLOW A 4" SPHERE TO PASS THROUGH)

CONTINUOUS HSS 12 X 3 STAIR STRINGER

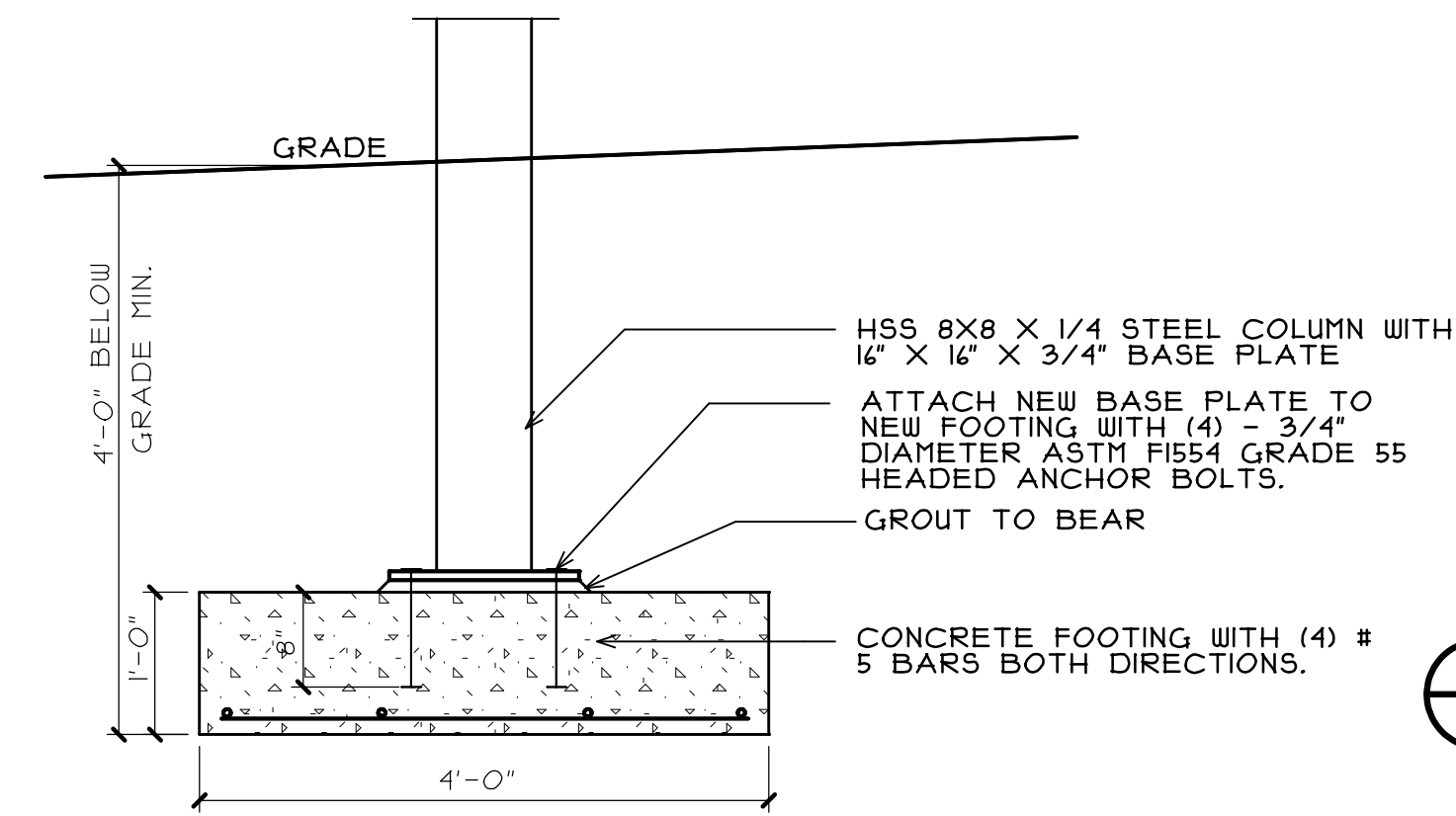
EXISTING CONCRETE FOOTING. (V.I.F.)

ALL NEW STEEL TO BE GALVANIZED UNLESS NOTED OTHERWISE.

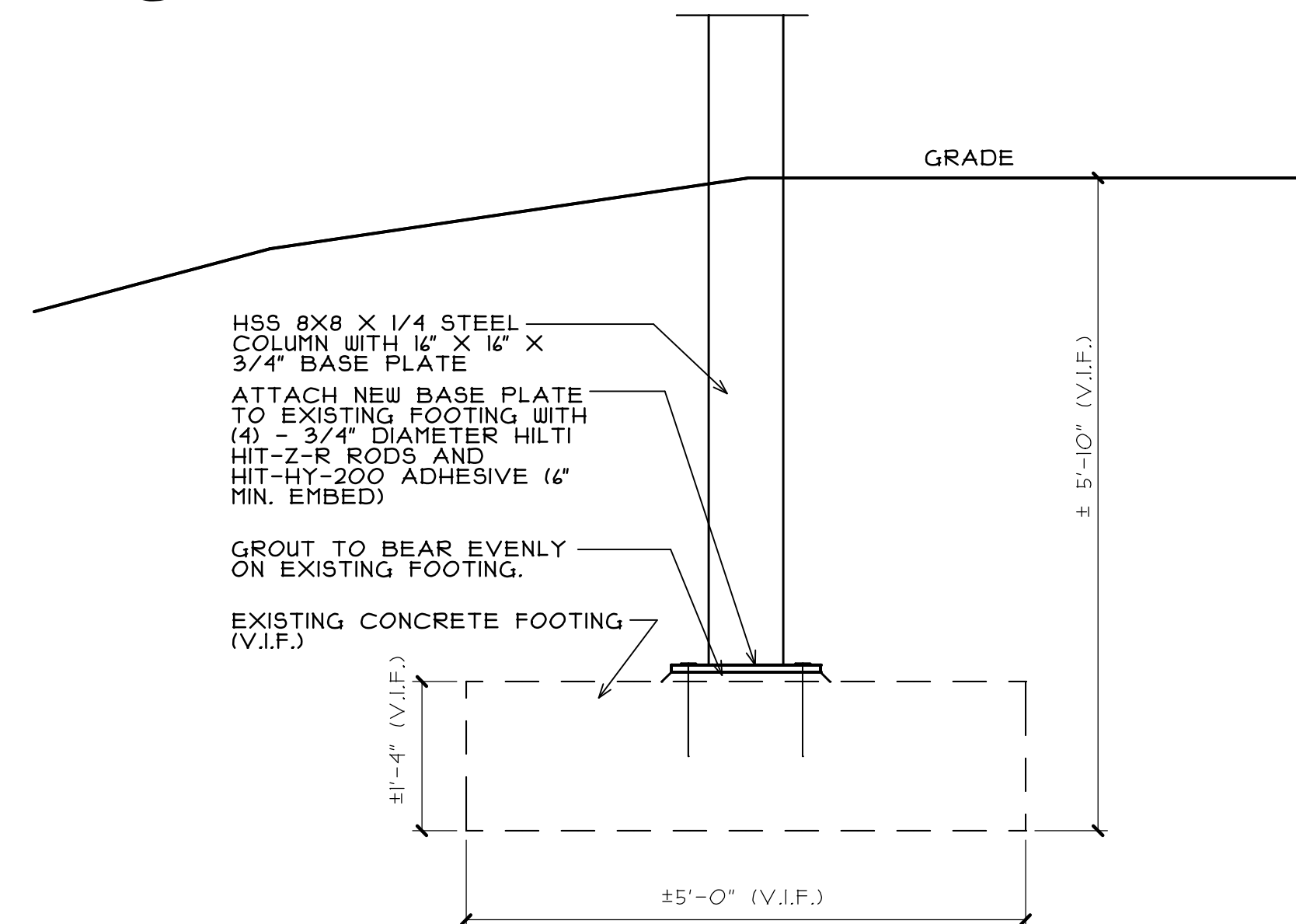
**1 STAIR SECTION**  
SCALE: 1/2" = 1'-0"



**2 DETAIL AT STAIR TREAD**  
SCALE: 1 1/2" = 1'-0"

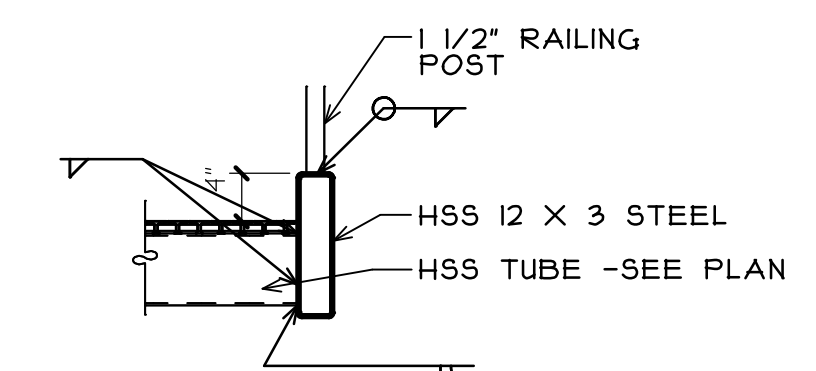


**3 DETAIL AT NEW COLUMN FOOTING**  
SCALE: 3/4" = 1'-0"

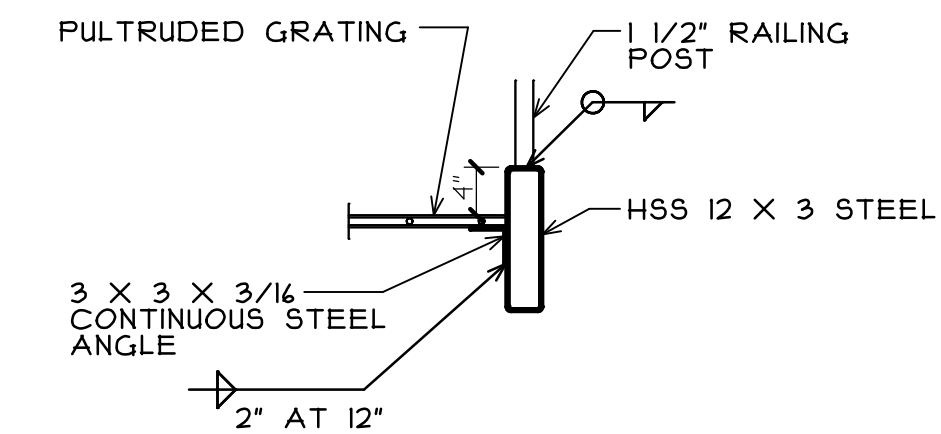


**4 DETAIL AT NEW COLUMN EXISTING FOOTING**  
SCALE: 3/4" = 1'-0"

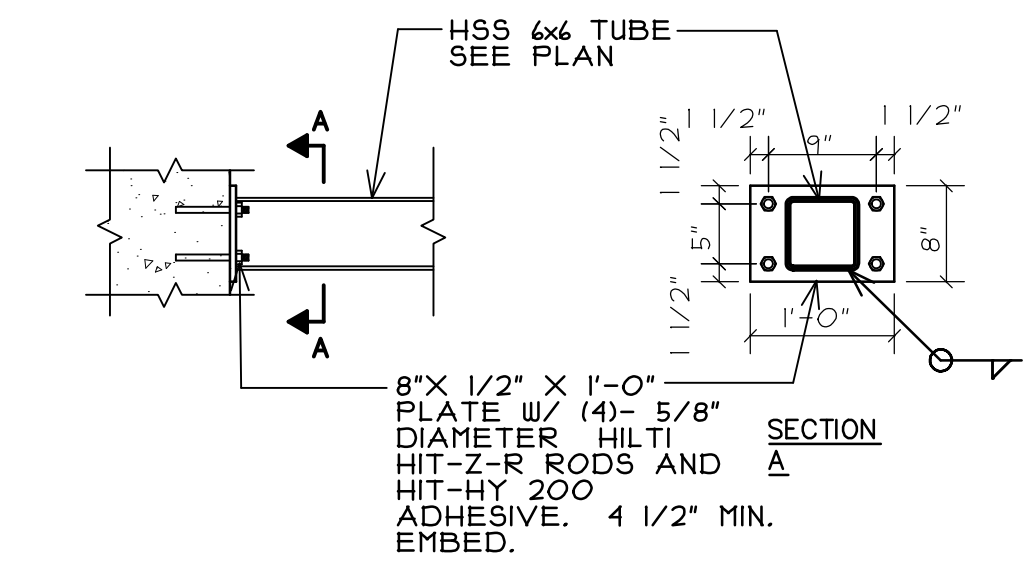
PAINT ANCHORS, BASE PLATE AND PORTION OF COLUMN BELOW GRADE WITH WATERPROOF SEALANT PRIOR TO BACKFILLING.



**5 DETAIL AT LANDING PERIMETER**  
SCALE: 3/4" = 1'-0"



**6 DETAIL AT LANDING PERIMETER**  
SCALE: 3/4" = 1'-0"



**7 DETAIL AT EXISTING BUILDING CONNECTION**  
SCALE: 3/4" = 1'-0"

ASSUMED NET ALLOWABLE BEARING PRESSURE = 3,000 P.S.I.

P:\JJC - BUILDING H STAIR REPLACEMENT\DRAWINGS\ARCH\141I\_02 A7.AEC

REGISTRATION  
SEAL

stromsland + de young + prybys  
ARCHITECTURE GROUP  
20620 Briar Court - 102  
Joliet, Illinois 60433  
www.sdpagroup.com  
815-727-1311  
L. N. : 194-00437

NUMBER  
SET

STAIR REPLACEMENT  
JOLIET JUNIOR COLLEGE - BUILDING H  
1215 HOUBOLT ROAD  
JOLIET, ILLINOIS

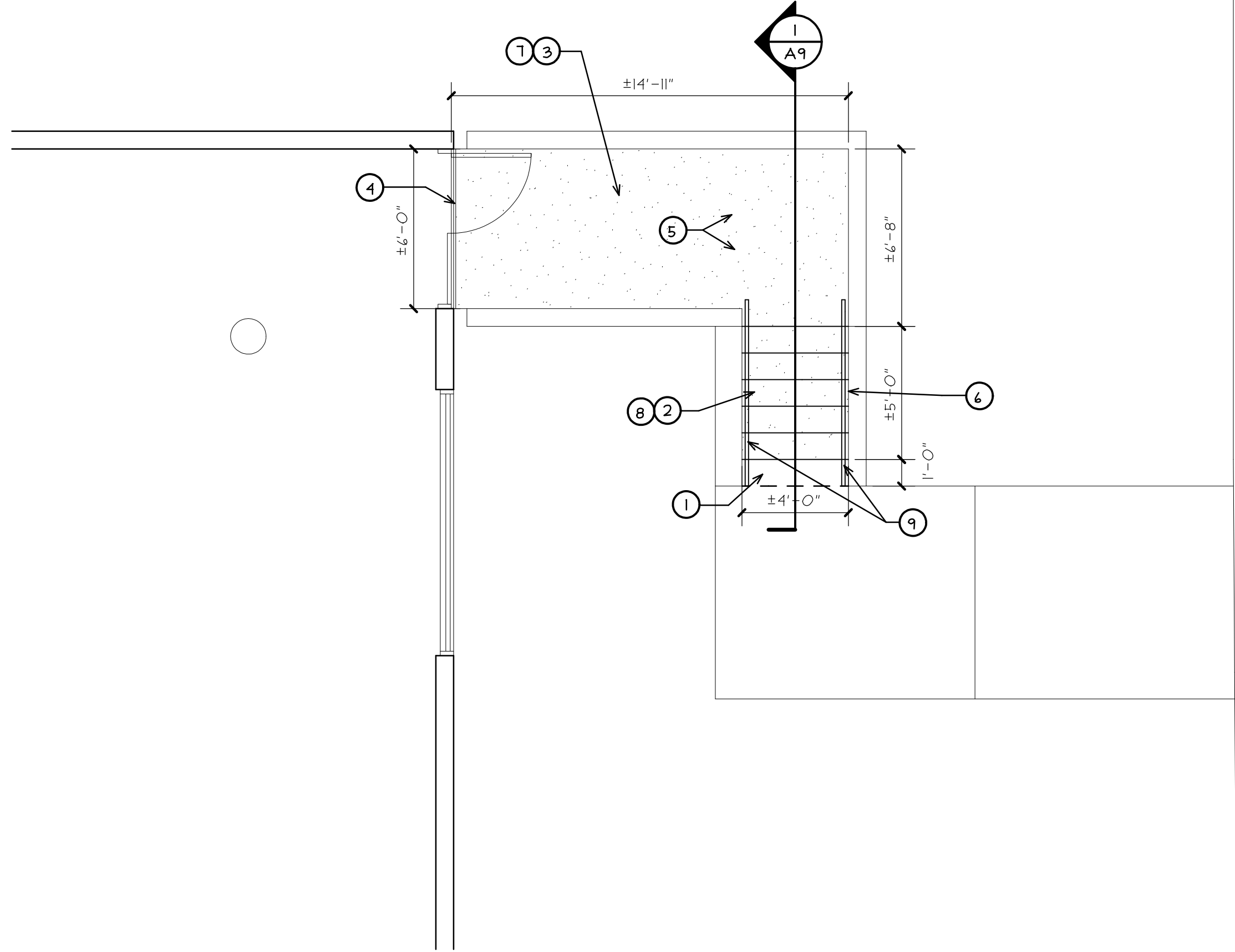
DATE:  
5/4/2015  
REVISED:

PROJECT NO.  
141I-02

SHEET NUMBER

A7

OF 9 SHEETS



**PARTIAL FLOOR PLAN - BOILER HOUSE- (ALTERNATE ONE)**  
SCALE: 1/4" = 1'-0"

**FLOOR PLAN GENERAL NOTES**

- A. THOROUGHLY CLEAN AND PREP ALL SURFACES PRIOR TO PLACEMENT OF NEW CONCRETE DRESSING PER MANUFACTURER'S RECOMMENDATIONS.
- B. PROVIDE PROTECTION TO ADJACENT MATERIAL TO REMAIN DURING CONSTRUCTION.
- C. PATCH OR REPAIR DAMAGED SURFACES CAUSED TO ADJACENT AREAS DURING CONSTRUCTION OPERATIONS.
- D. THE CONTRACTOR SHALL VISIT THE SITE PRIOR TO BID TO VERIFY EXISTING CONDITIONS AND EXTENT OF THE WORK. ANY ITEMS NOT SPECIFICALLY INDICATED THAT ARE IN CONFLICT WITH CONTRACT WORK SHALL BE BROUGHT TO THE ATTENTION OF THE OWNER PRIOR TO BID FOR CLARIFICATION.
- E. ALL ITEMS REMOVED AND NOT SALVAGED SHALL BE PROPERLY DISPOSED OF OFF SITE BY THE CONTRACTOR.

**GENERAL CONCRETE NOTES**

NEW FULL DEPTH CONCRETE TO HAVE MINIMUM COMPRESSIVE STRENGTH OF 4000 PSI AT 28 DAYS, SLUMP LIMIT TO BE 3 INCHES (±1 INCH), AIR CONTENT TO BE 6 PERCENT (±1.5 PERCENT). PROVIDE NONSLIP BROOM FINISH SURFACE TO MATCH ADJOINING AREAS.

CONCRETE REPAIR MORTAR TO BE ARDEX "TRM". PREPARE EXISTING SURFACES (INCLUDING ANTI-CORROSION AGENT FOR EXPOSED STEEL) MIX AND INSTALL REPAIR MORTAR AS PER MANUFACTURER'S RECOMMENDATIONS.

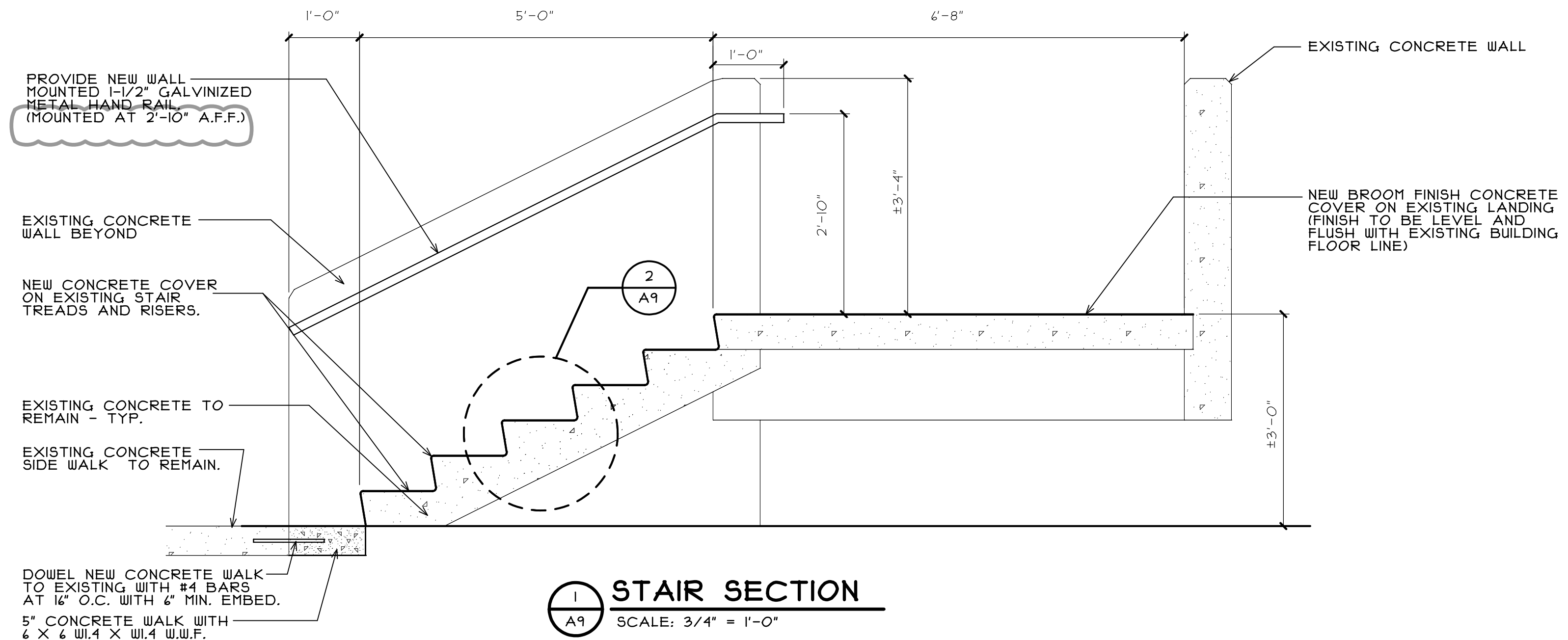
CONCRETE PATCHING MORTAR TO BE ARDEX "CP". PREPARE EXISTING SURFACES, MIX (AS INDICATED FOR PATCHING) AND INSTALL PATCHING MORTAR AS PER MANUFACTURER'S RECOMMENDATIONS.

CONCRETE DRESSING TO BE ARDEX "CD". PREPARE EXISTING SURFACES, MIX (AS INDICATED FOR DRESSING) AND INSTALL CONCRETE DRESSING AS PER MANUFACTURER'S RECOMMENDATIONS. PROVIDE NONSLIP BROOM FINISH SURFACE TO MATCH ADJOINING AREAS.

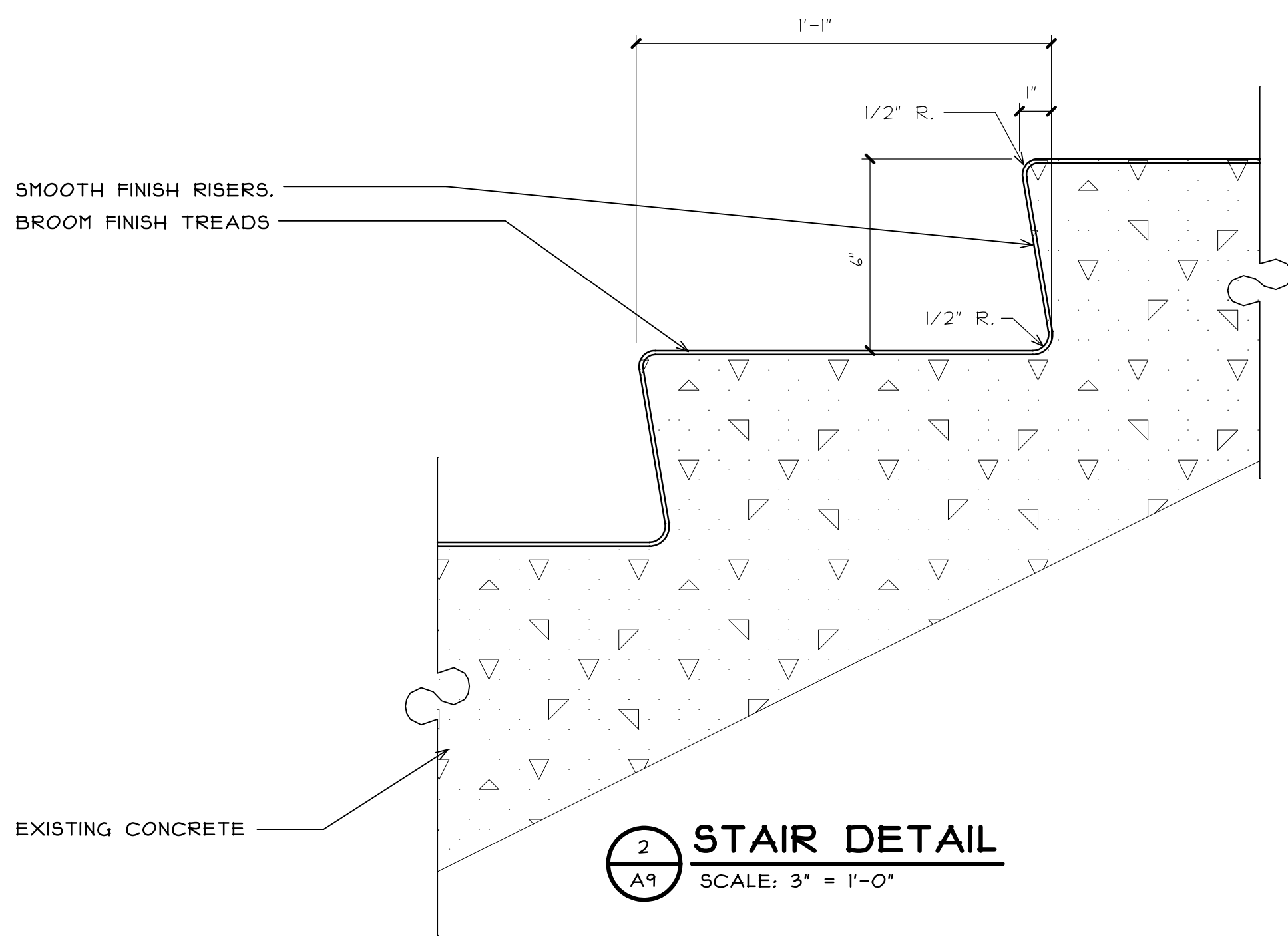
CONCRETE CRACK REPAIR TO BE ARDEX "ARDISEAL 2C". PREPARE EXISTING SURFACES, MIX AND INSTALL EPOXY SEALER AS PER MANUFACTURER'S RECOMMENDATIONS.

**FLOOR PLAN KEY NOTES**

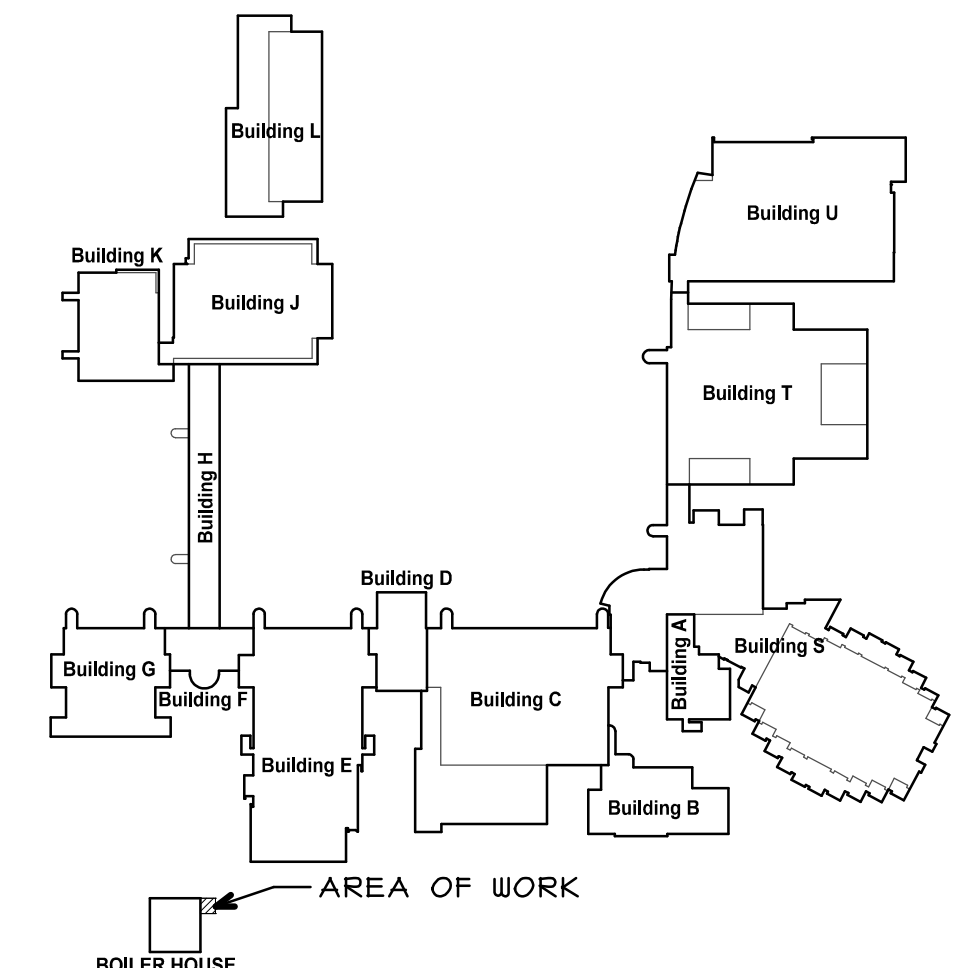
- 1 SAWCUT AND REMOVE PORTION OF EXISTING CONCRETE SIDEWALK AT STAIR AS SHOWN. AFTER COMPLETION OF STAIR WORK, INFILL AREA WITH NEW CONCRETE. (SEE STAIR SECTION)
- 2 CHIP SURFACE OF STAIR TREADS AND RISERS DOWN 1/8" MAX. ANY LOOSE OR DETERIORATED AREAS THAT STILL REMAIN ARE TO BE REMOVED DOWN TO SOLID MATERIAL AND PATCHED WITH CONCRETE PATCH MORTAR SMOOTH AND LEVEL WITH ADJACENT AREAS PRIOR TO NEW CONCRETE DRESSING COAT. (V.I.F.)
- 3 CHIP ENTIRE STAIR LANDING SURFACE DOWN 1/8" MAX. ANY LOOSE OR DETERIORATED AREAS THAT STILL REMAIN ARE TO BE REMOVED DOWN TO SOLID MATERIAL AND PATCHED WITH CONCRETE PATCH MORTAR SMOOTH AND LEVEL WITH ADJACENT AREAS PRIOR TO NEW CONCRETE DRESSING COAT. (V.I.F.)
- 4 REMOVE AND REPLACE EXISTING 1" CAULK SEALANT JOINT. PROVIDE NEW SEALANT JOINT TYPE "S" - GRADE - NS-1-50 WITH BACKER ROD. (V.I.F.) JOINT TO BE FLUSH WITH NEW FINISH LANDING
- 5 AT AREA OF DEEP DETERIORATED CONCRETE REMOVE DOWN TO SOLID MATERIAL. IF EXISTING REINFORCEMENT IS EXPOSED AND FOUND TO BE RUSTING THEN REINFORCING TO BE CLEANED DOWN TO WHITE METAL AND APPLY ANTI-CORROSION AGENT) PATCH CONCRETE SMOOTH AND LEVEL WITH ADJACENT AREAS WITH REPAIR MORTAR PRIOR TO NEW CONCRETE DRESSING COAT. (V.I.F.)
- 6 REMOVE LOOSE OR DETERIORATED CONCRETE DOWN TO SOLID MATERIAL AT BASE OF WALL. PATCH CONCRETE SMOOTH AND LEVEL WITH ADJACENT AREAS WITH CONCRETE PATCH MORTAR. PAINT TO MATCH EXISTING. (V.I.F.)
- 7 PROVIDE NEW 1/8" THICK CONCRETE FINISH COAT ON EXISTING STAIR LANDING - ONE COAT OF CONCRETE DRESSING (BROOM FINISH)
- 8 PROVIDE NEW 1/8" THICK CONCRETE FINISH COAT ON STAIRS TREADS AND RISER - ONE COAT OF CONCRETE DRESSING. SEE DETAIL 2 ON SHEET A9
- 9 PROVIDE NEW WALL MOUNTED 1-1/2" DIAMETER GALVANIZED HANDRAIL (TYPICAL ON BOTH SIDES)



**1 STAIR SECTION**  
SCALE: 3/4" = 1'-0"



**2 STAIR DETAIL**  
SCALE: 3" = 1'-0"



**SITE KEY PLAN**  
N.T.S.

P:\JJC - BUILDING H STAIR REPLACEMENT DRAWINGS\ARCH\HIL\_02\_A9AEC

REGISTRATION  
SEAL

stromsland + de young + prybys  
ARCHITECTURE GROUP  
20620 Burr Court - 102  
Joliet, Illinois 60433  
www.sdpagroup.com  
815-727-1311  
L.N.: 184-000437

NUMBER  
SET

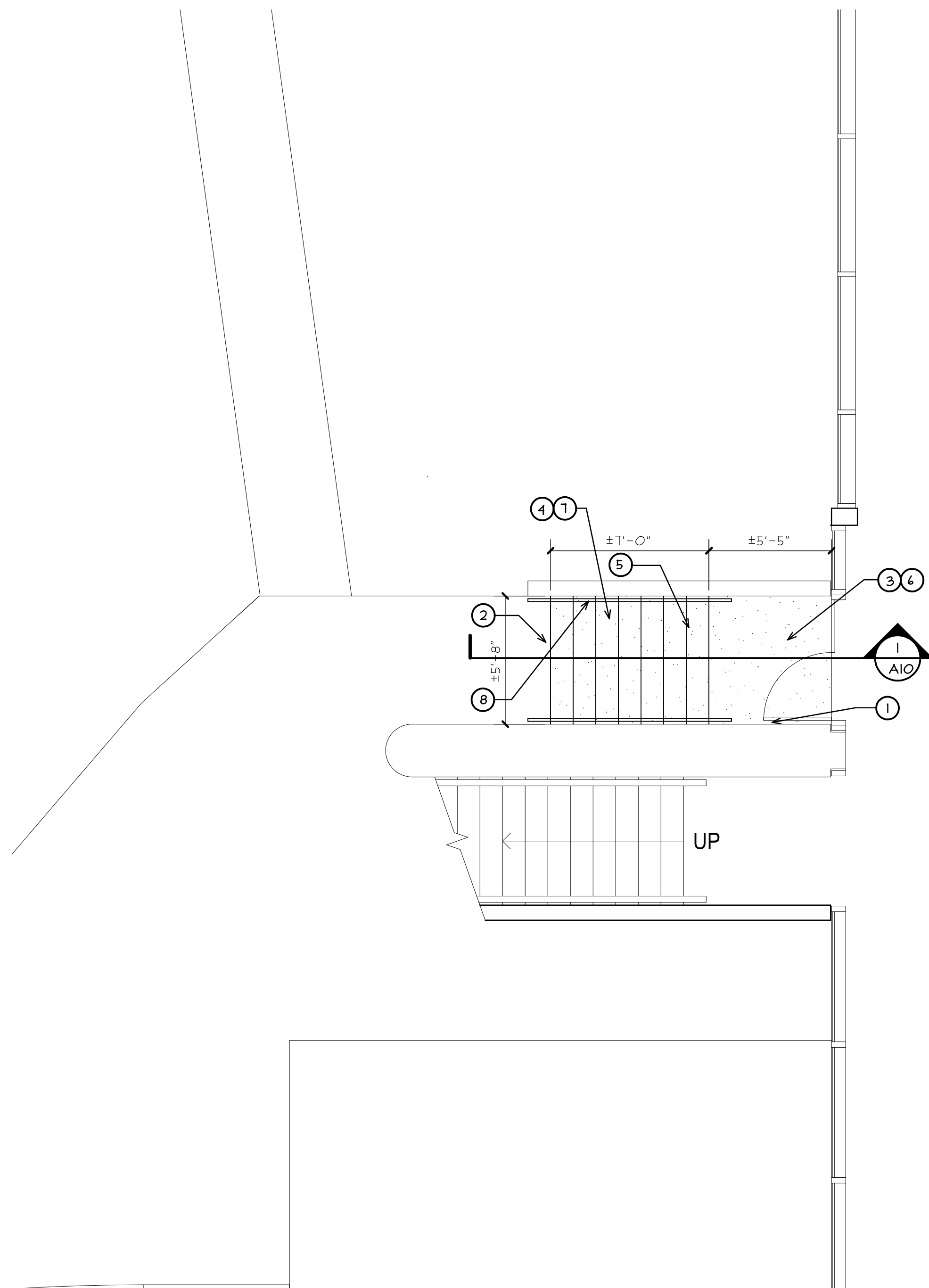
**STAIR REPLACEMENT**  
JOLIET JUNIOR COLLEGE - BUILDING H  
1215 HOUBOLT ROAD  
JOLIET, ILLINOIS

DATE: 5/4/2015  
REVISED: 5/18/2015

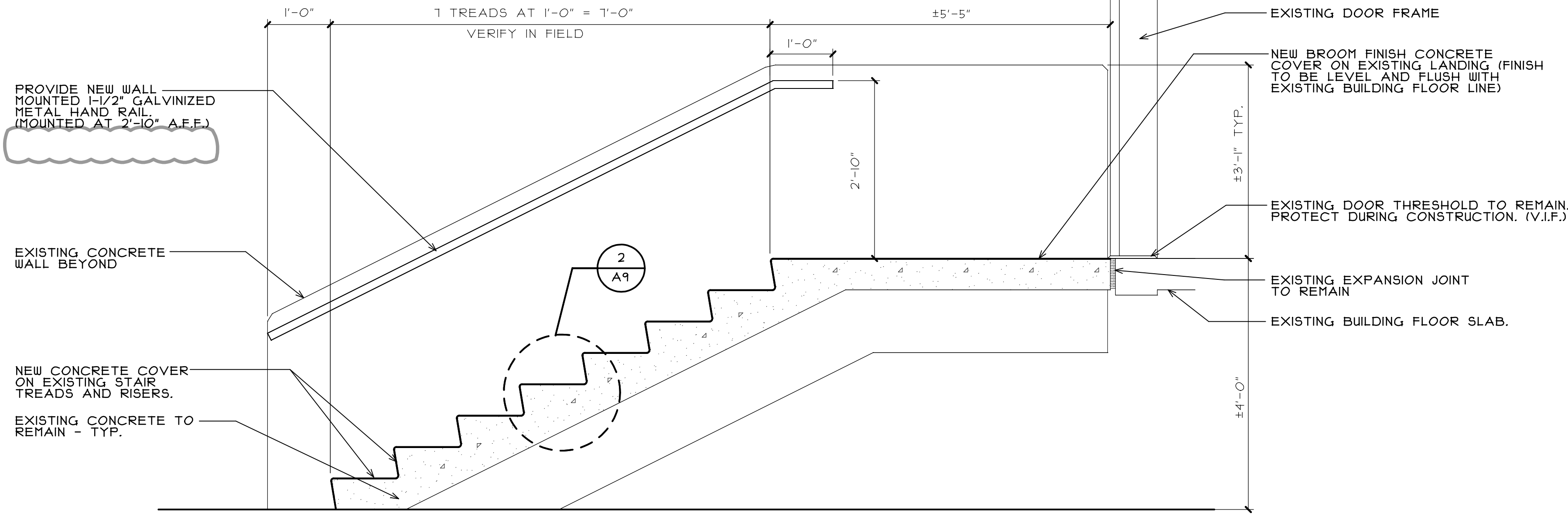
PROJECT NO.  
1411-02

SHEET NUMBER

**A9**  
OF 9 SHEETS



**PARTIAL FLOOR PLAN - BUILDING S (ALTERNATE TWO)**  
SCALE: 1/4" = 1'-0"



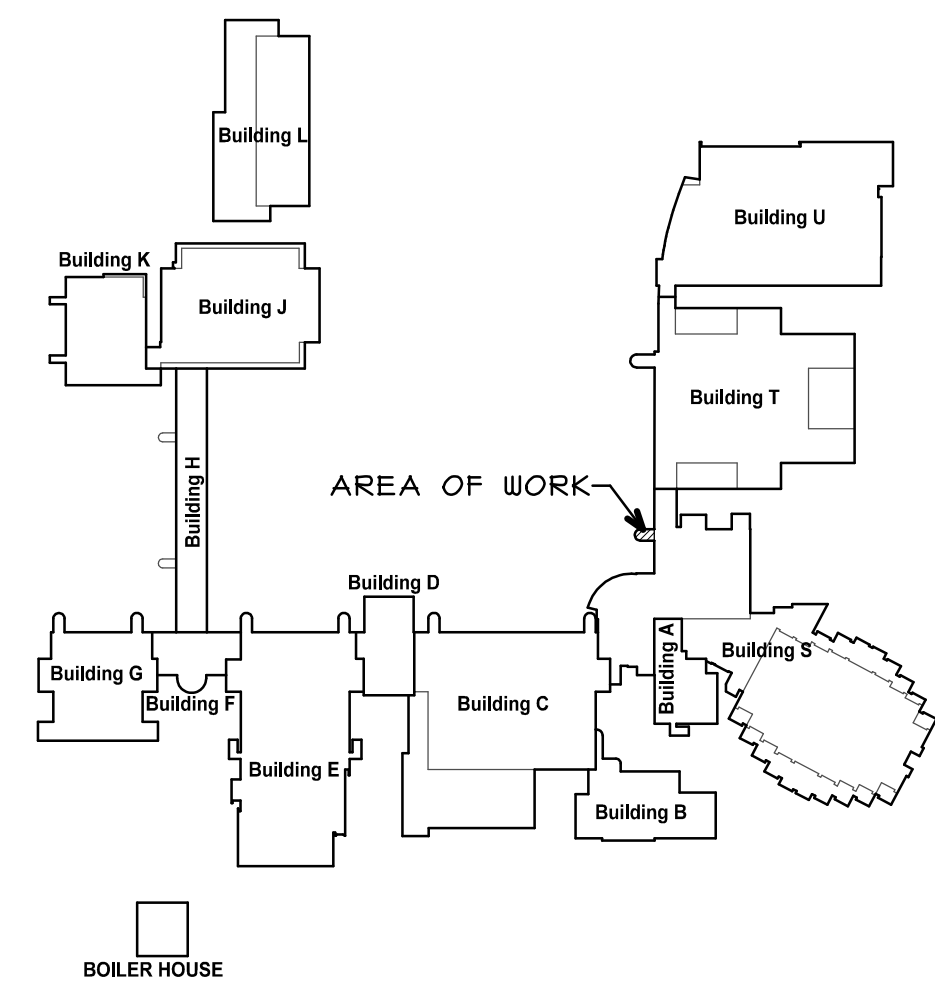
**1 STAIR SECTION**  
SCALE: 3/4" = 1'-0"

**FLOOR PLAN GENERAL NOTES**

- A. THOROUGHLY CLEAN AND PREP ALL SURFACES PRIOR TO PLACEMENT OF NEW CONCRETE DRESSING PER MANUFACTURERS RECOMMENDATIONS.
- B. PROVIDE PROTECTION TO ADJACENT MATERIAL TO REMAIN DURING CONSTRUCTION.
- C. PATCH OR REPAIR DAMAGED SURFACES CAUSED TO ADJACENT AREAS DURING CONSTRUCTION OPERATIONS.
- D. THE CONTRACTOR SHALL VISIT THE SITE PRIOR TO BID TO VERIFY EXISTING CONDITIONS AND EXTENT OF THE WORK. ANY ITEMS NOT SPECIFICALLY INDICATED THAT ARE IN CONFLICT WITH CONTRACT WORK SHALL BE BROUGHT TO THE ATTENTION OF THE OWNER PRIOR TO BID FOR CLARIFICATION.
- E. ALL ITEMS REMOVED AND NOT SALVAGED SHALL BE PROPERLY DISPOSED OF OFF SITE BY THE CONTRACTOR.

**FLOOR PLAN KEY NOTES**

- 1 REMOVE EXISTING FLOOR MOUNTED DOOR STOP SALVAGE AND REINSTALL AFTER COMPLETION OF NEW CONCRETE WORK.
- 2 REMOVE BORDER COURSE OF EXISTING BRICK PAVERS AT STAIRS FOR NEW CONCRETE WORK. RE-INSTALL EXISTING BRICK PAVERS AT COMPLETION OF STAIR CONSTRUCTION. (V.I.F.)
- 3 CHIP ENTIRE STAIR LANDING SURFACE DOWN 1/8" MAX. ANY LOOSE OR DETERIORATED AREAS THAT STILL REMAIN ARE TO BE REMOVED DOWN TO SOLID MATERIAL AND PATCHED WITH CONCRETE PATCH MORTAR SMOOTH AND LEVEL WITH ADJACENT AREAS PRIOR TO NEW CONCRETE DRESSING COAT. (V.I.F.)
- 4 CHIP SURFACE OF STAIR TREADS AND RISERS DOWN 1/8" MAX. ANY LOOSE OR DETERIORATED AREAS THAT STILL REMAIN ARE TO BE REMOVED DOWN TO SOLID MATERIAL AND PATCHED WITH CONCRETE PATCH MORTAR SMOOTH AND LEVEL WITH ADJACENT AREAS PRIOR TO NEW CONCRETE DRESSING COAT. (U.N.O.) (V.I.F.)
- 5 REMOVE EXISTING STAIR PATCH DOWN TO SOLID MATERIAL. (IF EXISTING REINFORCEMENT IS EXPOSED AND FOUND TO BE RUSTING THEN REINFORCING TO BE CLEANED DOWN TO WHITE METAL AND APPLY ANTI-CORROSION AGENT) PATCH CONCRETE SMOOTH AND LEVEL WITH ADJACENT AREAS WITH CONCRETE REPAIR MORTAR PRIOR TO NEW CONCRETE DRESSING COAT. (V.I.F.)
- 6 PROVIDE NEW 1/8" THICK CONCRETE FINISH COAT ON EXISTING STAIR LANDING - ONE COAT OF CONCRETE DRESSING (BROOM FINISH)
- 7 PROVIDE NEW 1/8" THICK CONCRETE FINISH COAT ON STAIRS TREADS AND RISER - ONE COAT OF CONCRETE DRESSING. SEE DETAIL 2 ON SHEET A9
- 8 PROVIDE NEW WALL MOUNTED 1-1/2" DIAMETER GALVANIZED HANDRAIL (TYPICAL BOTH SIDES)



**SITE KEY PLAN**  
N.T.S.

COPYRIGHT 2015 © S D P ARCHITECTURE GROUP, INC.

REGISTRATION

stromsland + de young + prybys  
ARCHITECTURE GROUP  
20620 Burl Court - 102  
Joliet, Illinois 60433  
www.sdpgroup.com  
L. N. - 184-00437  
815-727-1311

NUMBER  
SET

**STAIR REPLACEMENT**  
JOLIET JUNIOR COLLEGE - BUILDING H  
1215 HOUBOLT ROAD  
JOLIET, ILLINOIS

DATE: 5/4/2015  
REVISED: 5/18/2015

PROJECT NO.  
1411-02

SHEET NUMBER

**A10**

OF 9 SHEETS

P:\JUC - BUILDING H STAIR REPLACEMENT DRAWINGS\ARCH\1411\_02 A10.AEC